



**HEAT & GLO™**

No one builds a better fire



**Soho®**  
Direct Vent Gas Fireplace



Our ideas  
& your dreams



- A. Reflective firebox interior
- B. Black onyx pebbles replace traditional logs
- C. IntelliSwitch100 wall control ships standard

**Cover photo:** Soho shown with Studio front in brushed nickel finish with glass  
**Top photo:** Soho shown with Studio front in black finish with mesh

It's time to change the way you think about fireplaces—where they should go and what they should look like. Because now there's Soho. It's not like other fireplaces. Its small, square shape and shallow depth make creative installation opportunities huge.

- The smallest and shallowest firebox ever offered by Heat & Glo, coupled with low heat output, lets you install Soho in places you never thought possible.
- Sleek modern Soho replaces traditional bricks and logs with a reflective firebox interior and black onyx pebbles.
- Install it on a wall, just like a piece of modern art, framed in a Studio front.



Soho shown with Studio front with glass

# Soho

Now what you can do with a fireplace is limited only by your imagination.

## Studio Fronts



Studio front in brushed nickel with glass



Studio front in brushed nickel with mesh

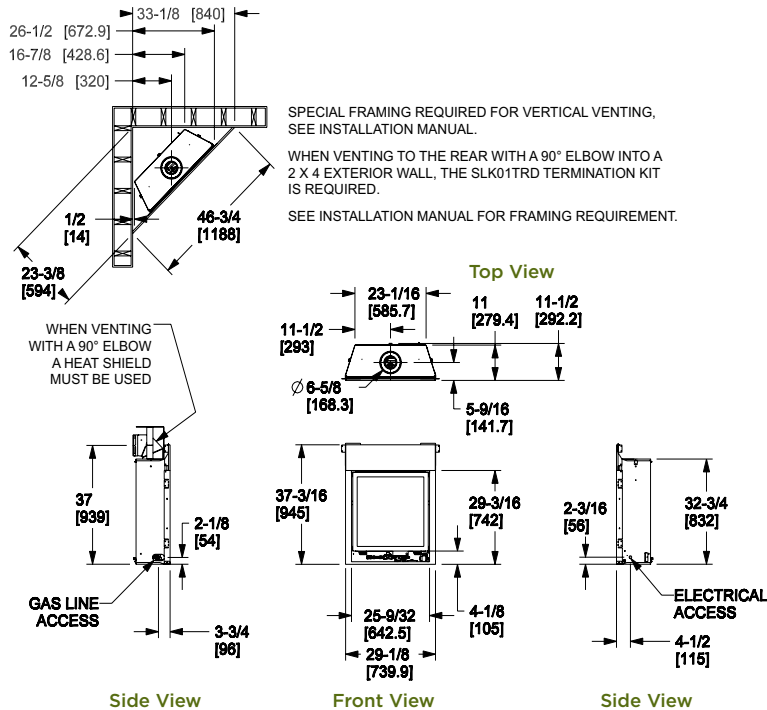


Studio front in black with mesh

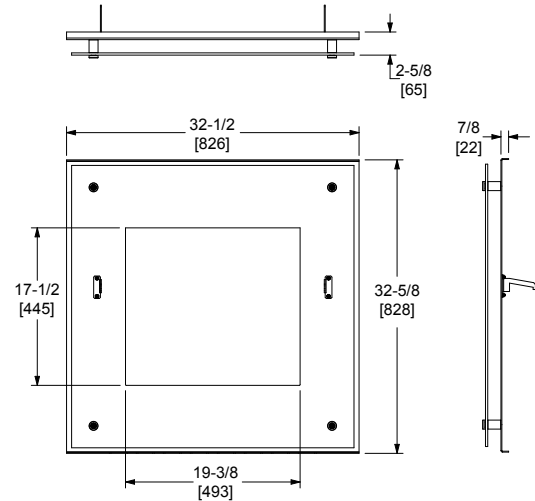
## Soho Specifications

MODEL	HEIGHT		FRONT WIDTH		BACK WIDTH		DEPTH		GLASS SIZE	BTU/Hour Input (NG)
	Actual	Framing	Actual	Framing	Actual	Framing	Actual	Framing		
Soho24	37-3/16	44-3/16	29-1/8	29-5/8	23-1/16	29-5/8	11	11-1/2	17-1/2 x 19-3/8	14,000
<b>Glass Studio Front</b>	<b>32-5/8</b>		<b>32-1/2</b>				<b>3-1/2</b>			

### Top View Corner Installation



### Glass Studio Front



Dimensions above are in inches. Reference dimensions only. We recommend measuring individual units at installation. Assumes the use of 1/2" Sheetrock. NOTE: Non-combustible material is allowed over this dimension. Make sure you do NOT cover the decorative door opening.

Refer to installation manual for detailed specifications on installing this product. Heat & Glo reserves the right to update units periodically. Actual product appearance, including flame, may differ from product images.

## Soho Features

- Reflective firebox interior
- Black onyx pebbles
- IntelliSwitch100 wall control
- Choice of Studio fronts
- Energy saving, "green friendly" IntelliFire ignition system
- Sealed combustion chamber, top vent
- 14,000 Btu/Hour Input (NG)
- 13,000 Btu/Hour Input (LP)

## IntelliFire™

Our exclusive, state-of-the-art IntelliFire ignition system reduces gas consumption by providing a pilot flame only when needed. It also supplies a back-up battery system to run the fireplace during a power outage.

## Healthy Hearth

Our direct vent fireplaces will not alter the quality of indoor room air in any way. The sealed combustion chamber draws in fresh air from outdoors and discards all combustion by-products back outside.

## Limited Lifetime Warranty\*

The strongest in the industry, Heat & Glo guarantees protection for all gas units, including a lifetime warranty of the most important aspects: fiber logs, stainless steel burner, firebox and heat exchanger.

\* For full warranty details, go to [www.heatnglo.com](http://www.heatnglo.com).

For complete information and valuable assistance on this model, please contact us at:

## HEAT & GLO

20802 Kensington Boulevard, Lakeville, MN 55044  
(888) 427-3973 (952) 985-6000  
Web: [www.heatnglo.com](http://www.heatnglo.com)

A brand of Hearth & Home Technologies Inc.



HNG-1048U-0607