



DESIGNED | to inspire

SOLARIS

Direct Vent Gas Fireplace

SOLARIS

Stealing a piece of the setting sun.

Inspired by the setting sun, the Solaris see-through direct vent gas fireplace is the most innovative and unmatched hearth product in the industry. Featuring our patent-pending continuous levitating flames and transparent Razor™ burner, the Solaris is a contemporary and award winning fireplace on trend with consumer demands.

The Solaris is available in two models. Solaris36-ST is the world's thinnest see-through fireplaces with a levitating flame and transparent Razor™ burner. Solaris36-MR is a two-sided fireplaces featuring the infinity flame which provides a 6-foot deep illusion of flame and lighting effects.



Above: Mirrored version shown with black base and Spatolato Blue top, bottom and side panels.
Cover: See-Through version shown with black base, Ebony top and bottom panels and Gloss White side panels.

SOLARIS SEE-THROUGH



DRAMATIC FOCAL POINT

Featuring consistent panel colors, the Solaris gives drama and visual impact to the room. The infinity flame provides a 6-foot deep illusion of flame and lighting effects.



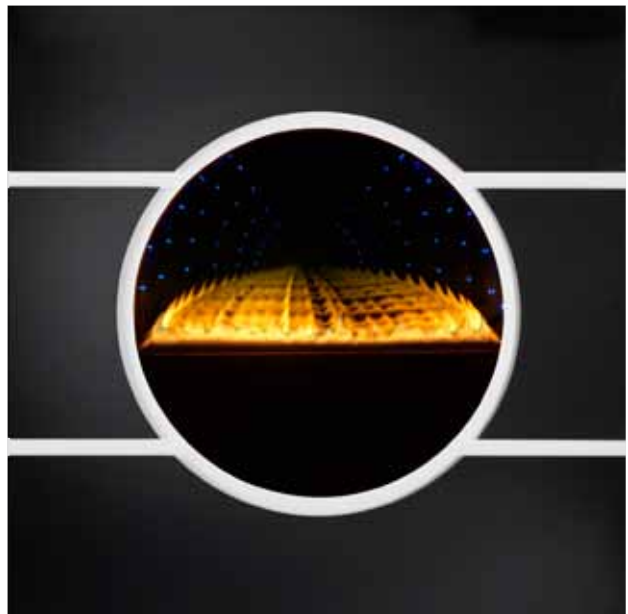
ELEVATED SOPHISTICATION

The Solaris is ideal for commercial applications elevating the style and sophistication in any space. Easily installed in a 2" x 6" stud wall, the Solaris is the world's thinnest direct vent gas fireplace.



CLEAN AND SIMPLE LINES

The inspired 33" diameter of the Solaris is easily adaptable in any room. One side is installed with a clean and simple trim ring where the continuous levitating flames become the focus.

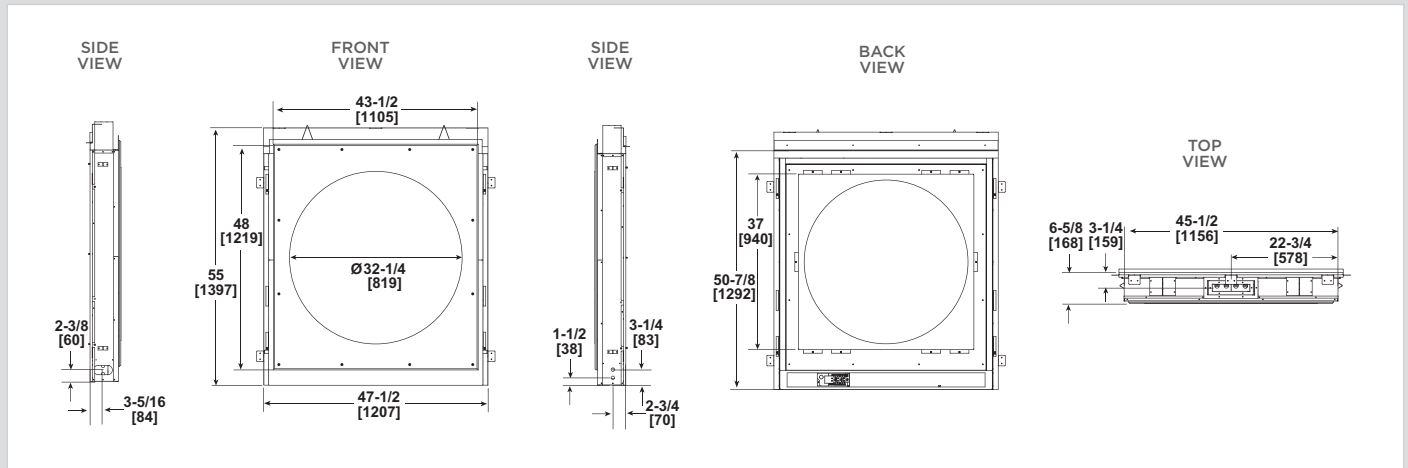


STUNNING STYLE

With 32 color combinations available, the Solaris offers a unique level of customization for a truly one of a kind, modern fireplace.

SOLARIS SPECIFICATIONS

MODEL	FRONT WIDTH		BACK WIDTH		HEIGHT		DEPTH		Btu/Hour Input
	Unit	Framing	Unit	Framing	Unit	Framing	Unit	Framing	
SOLARIS36-ST, SOLARIS36-MR	47-1/2	47-1/2	47-1/2	47-1/2	55	55-1/4	6-5/8	5-1/2	29,500 (NG) 29,500 (LP)



Dimensions above are in inches. Reference dimensions only. We recommend measuring individual units at installation. Assumes the use of 1/2" Sheetrock. NOTE: Combustible material should not be installed over the face. Make sure you do NOT cover the decorative door opening.

Refer to installation manual for detailed specifications on installing this product. Heat & Glo reserves the right to update units periodically. The flame and ember appearance may vary based on the type of fuel burned and the venting configuration used. Pictures in this brochure are not a true representation of the fireplace and/or flames.

FEATURES & BENEFITS

- World's only continuous levitating flame featuring our see-through Razor burner provides unmatched flame design.
- World's thinnest see-through fireplace allows installation on a 2" x 6" studded wall.
- 33" diameter size works well for both residential and commercial applications.
- Customize your look with many front options, up to 32 combinations.
- Solaris36-MR - World's only "infinity flame" provides the 6 foot deep illusion of flame and lighting effects.

INTELLIFIRE PLUS IGNITION SYSTEM



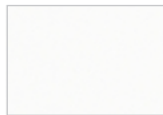
The IntelliFire Plus Ignition System is an "intelligent" control system providing energy conservation and the comfort of a roaring fire. IntelliFire Plus features intermittent-pilot ignition (IPI) allowing you to conserve fuel and money when the fireplace is not in use. Optional constant pilot mode - allows you to leave the pilot flame on in cold climates. In addition, the system offers seamless transition from AC to battery backup in a power outage, as well as built-in safety features and memory settings.

FRONT PANELS & FINISHES

One side of each Solaris is finished with a simple, black trim ring. Customize the other side by mixing and matching panel colors to your style, providing up to 32 color combinations for a truly one of a kind, modern focal point in any room. Select from four stylish colors for the (1) Top & Bottom panel set, (2) Side panels set, and black or Gloss White for the (3) Base panel set.



Ebony



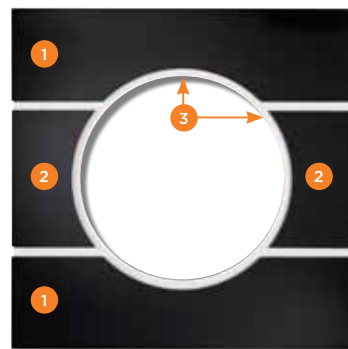
Gloss White



Lava



Spatolato Blue



For complete information on this model, please contact us at:

HEAT & GLO

No one builds a better fire

A brand of Hearth & Home Technologies Inc.™
7571 215th Street West, Lakeville, MN 55044
Web: heatglo.com
Phone: (888) 427-3973 (952) 985-6000
E-mail: info@heatglo.com

*For full warranty details, go to www.heatglo.com.

Select furnishings by HICKORY CHAIR - www.hickorychair.com

LIMITED LIFETIME WARRANTY*

The strongest in the industry, Heat & Glo provides a limited lifetime warranty on the most important aspects: firebox and heat exchanger.



HNG-1112U-0610