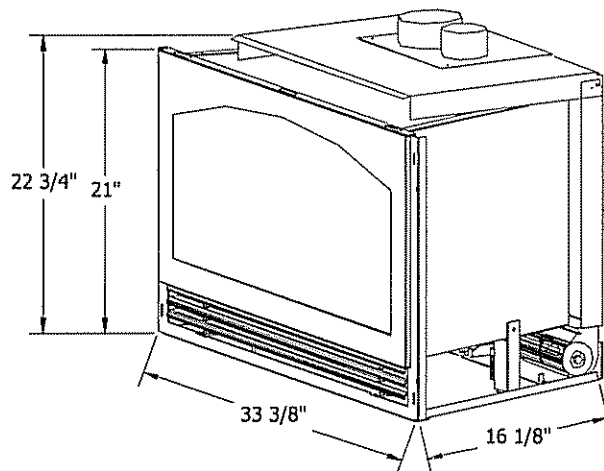




# KOZY HEAT™

## **INSTALLATION AND OPERATING MANUAL**

### **MODEL #911 XL DIRECT VENT INSERT**



**U.S. PATENT #5,931,154  
U.S. PATENT #6,004,493**

**IMPORTANT:  
READ ALL INSTRUCTIONS CAREFULLY BEFORE  
INSTALLATION. FAILURE TO INSTALL THIS  
FIREPLACE INSERT CORRECTLY CAN CAUSE SERIOUS  
STRUCTURAL AND FIRE HAZARDS AND  
MAY VOID YOUR WARRANTY.**



We recommend that our gas hearth products be installed and serviced by professionals who are certified in the U.S. by the National Fireplace Institute® (NFI) as NFI Gas Specialists.

[www.kozyheat.com](http://www.kozyheat.com)



November 2005

## **INDEX**

<b>Safety Requirements</b> .....	<b>1</b>
<b>Requirements of Existing Fireplace</b> .....	<b>2</b>
<b>Insert Fireplace Specifications</b> .....	<b>3</b>
<b>Preparing The Existing Fireplace</b> .....	<b>4</b>
<b>Gas Line Installation Requirements - Minimum/Maximum Pressures</b> .....	<b>4-5</b>
<b>Insert Preparation</b> .....	<b>5-7</b>
<b>Remove the Quick-latch Glass Assembly</b> .....	<b>5</b>
<b>Remove the Millivolt Board</b> .....	<b>5-6</b>
<b>Remove the Air Duct</b> .....	<b>6</b>
<b>Installing the Insert</b> .....	<b>6-14</b>
<b>Masonry Side Panel Installation</b> .....	<b>7</b>
<b>Restrictor Installation</b> .....	<b>7</b>
<b>Install the Co-linear Vent System</b> .....	<b>8-9</b>
<b>Position the Insert &amp; Secure the Air Duct</b> .....	<b>10</b>
<b>Secure Masonry Side Panels to Fireplace front (Co-linear unit only)</b> .....	<b>11</b>
<b>Replace the Millivolt Board</b> .....	<b>11-12</b>
<b>Assemble &amp; Attach The Shroud</b> .....	<b>12-13</b>
<b>Fan Installation</b> .....	<b>13</b>
<b>Log Installation</b> .....	<b>14</b>
<b>Complete the Installation -</b> <b>Initial Lighting / Seasonal Heat Dump Adjustment /</b> <b>Replace the Glass Assembly / Install the Lower Grill</b> .....	<b>15</b>
<b>Thermostat - Remote Control - Wall Switch Installation</b> .....	<b>16</b>
<b>Lighting &amp; Shutdown Procedures</b> .....	<b>17-18</b>
<b>Manifold (outgoing) &amp; Inlet (incoming) Pressure Check Procedures</b> .....	<b>19</b>
<b>Maintenance Requirements</b> .....	<b>20</b>
<b>Troubleshooting</b> .....	<b>21-22</b>
<b>Gas Conversion Kit</b> .....	<b>23-24</b>
<b>Replacement Parts</b> .....	<b>25</b>
<b>Warranty Policy</b> .....	<b>26-27</b>

**MODEL #911 XL  
DIRECT VENT GAS BURNING FIREPLACE INSERT**

---

**INSTALLATION & OPERATING INSTRUCTIONS**

---

**IMPORTANT:  
READ THIS MANUAL BEFORE INSTALLING AND USING THIS FIREPLACE**

This fireplace has been tested to and complies with ANSI Z21.88-2002<sup>®</sup> CSA 2.33-M02 "DIRECT VENT GAS FIREPLACE" Installation must conform with local building codes or in the absence of local building codes, with the National Fuel Gas code, ANSI Z223.1 NFPA 54, current edition. FOR U.S. INSTALLATIONS ONLY.

**WARNING:** If the information in these instructions are not followed exactly, a fire or explosion may result causing property damage, personal injury or loss of life.

Do not store or use gasoline or other flammable vapors in the vicinity of this or any other appliance.

**WHAT TO DO IF YOU SMELL GAS:**

- ▶ Do not try to light any appliance.
- ▶ Do not touch electrical switches; do not use the phone in your building.
- ▶ Immediately call your gas supplier from a neighbor's phone. Follow the gas supplier's instructions.
- ▶ If you cannot reach your gas supplier, call the fire department.

Installation and service must be performed by a qualified installer, service agency or the gas supplier.

This appliance may be installed in an aftermarket permanently located, manufactured (mobile) home, where not prohibited by local codes.

This appliance is only for use with the type(s) of gas indicated on the rating plate. This appliance is not convertible for use with other gases, unless a certified kit is used.

**COMMONWEALTH OF MASSACHUSETTS  
INSTALLATIONS**

**WARNING:** This Product Must Be Installed By A Licensed Plumber Or Gas Fitter When Installed Within The Commonwealth of Massachusetts.

**IMPORTANT:** Installation of a CO detector is required in the

fireplace room.

**WARNING: DO NOT REPLACE THIS BURNER WITH ANY OTHER SIZED BURNER. REPLACEMENT WITH AN UNAUTHORIZED BURNER CAN RESULT IN TEMPERATURES EXCEEDING THE LIMITS FOR THIS UNIT AND VOID YOUR WARRANTY.**

**DUE TO HIGH TEMPERATURES, THIS FIREPLACE SHOULD BE LOCATED OUT OF TRAFFIC AND AWAY FROM FURNITURE AND DRAPERIES**

Do not use this fireplace if any part has been under water. Immediately call a qualified service technician to inspect this appliance and to replace any part of the control system and any gas control which has been under water.

**YOUNG CHILDREN SHOULD BE CAREFULLY SUPERVISED WHEN THEY ARE IN THE SAME ROOM AS THIS FIREPLACE.**

**CHILDREN AND ADULTS SHOULD BE ALERTED TO THE HAZARDS OF HIGH SURFACE TEMPERATURE AND SHOULD STAY AWAY TO AVOID BURNS OR CLOTHING IGNITION.**

**CLOTHING OR OTHER FLAMMABLE MATERIAL SHOULD NOT BE PLACED ON OR NEAR THE APPLIANCE.**

The efficiency rating of this appliance is a product thermal efficiency rating determined under continuous operating conditions and was determined independently of any installed system.

**THIS UNIT IS APPROVED FOR INSTALLATION IN FACTORY-BUILT SOLID FUEL & MASONRY FIREPLACES.**

**CAUTION: THIS APPLIANCE MUST NOT BE CONNECTED TO A CHIMNEY FLUE SERVING A SEPARATE SOLID-FUEL BURNING APPLIANCE.**

The existing fireplace must meet the following requirements:

1. A gas line must be able to be installed to the insert.
2. Existing Chimney:
  - Class "A" metal chimney: Co-linear 3" x 4" venting - 8" minimum inside diameter.
  - Masonry Chimney: Co-linear 3" x 4" venting - 6" x 8" minimum inside diameter.
3. The inside dimensions of the fireplace with the firebrick and smoke baffle *REMOVED* must be at least:

Height: 23 1/2"	Front Width: 33 1/2"
Depth: 16 1/2"	Width at minimum depth location: 23 1/2"

4. The height of the existing chimney must be a minimum of 11 ft..

Maximum height of existing chimney:      Co-linear venting: 40 ft.

To determine the length of your existing chimney:

- A) Remove the chimney cap

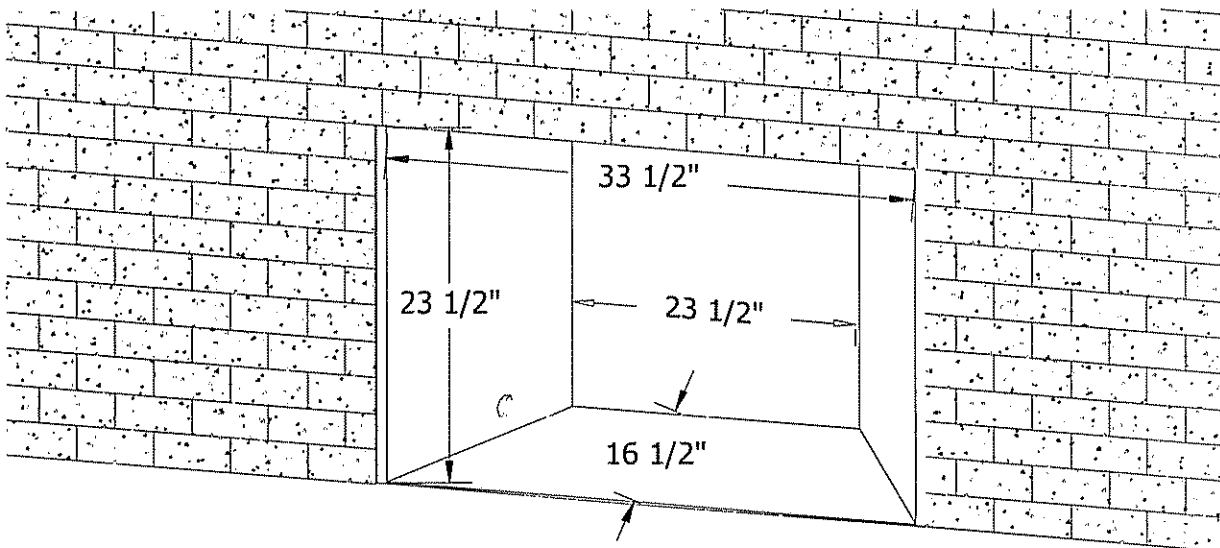
**NOTE:** It is helpful to have two people complete the next step in determining chimney height:

- B) With one person at the fireplace and the other person at the top of the chimney, measure from the base of the fireplace to the top of the chimney. Subtract 24" for the height of the insert. This is the total length of co-linear flexible aluminum you will require

MEASUREMENT FROM BASE OF FIREPLACE TO TOP OF CHIMNEY:	_____
LESS:	-24"
TOTAL CHIMNEY LENGTH REQ:	_____

5. Minimum clearance from outlet grill on the insert to a combustible mantel: 12"  
 Minimum clearance from the side of the insert glass (glazing) to side wall: 10"

**MINIMUM OPENING DIMENSIONS**



ALL DIMENSIONS ARE MINIMUM REQUIREMENTS

## SPECIFICATIONS:

Height (top of firebox): 21"  
Height (top of air duct): 22 3/4"  
Width: 33 3/8"  
Depth: 16 1/8"

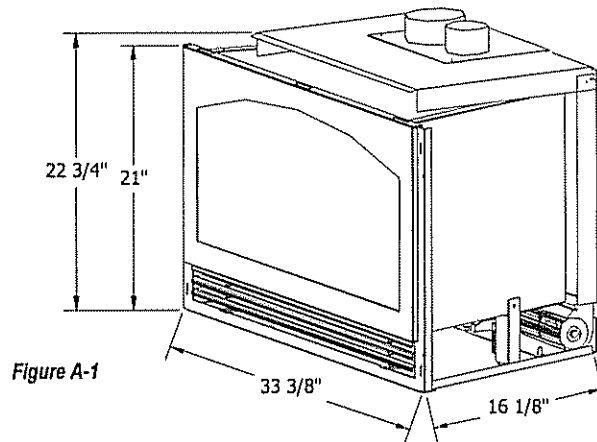


Figure A-1

Check the assembly diagram below to ensure you have all the necessary components to properly install this fireplace insert.

This insert includes the following:

- 1 Unit
- 2 Spring-loaded latch glass assembly
- 3 Millivolt board with burner cover
- 4 Log set (See page #14)
- 5 150 CFM fan with limit switch and speed control
- 6 Co-linear air duct.

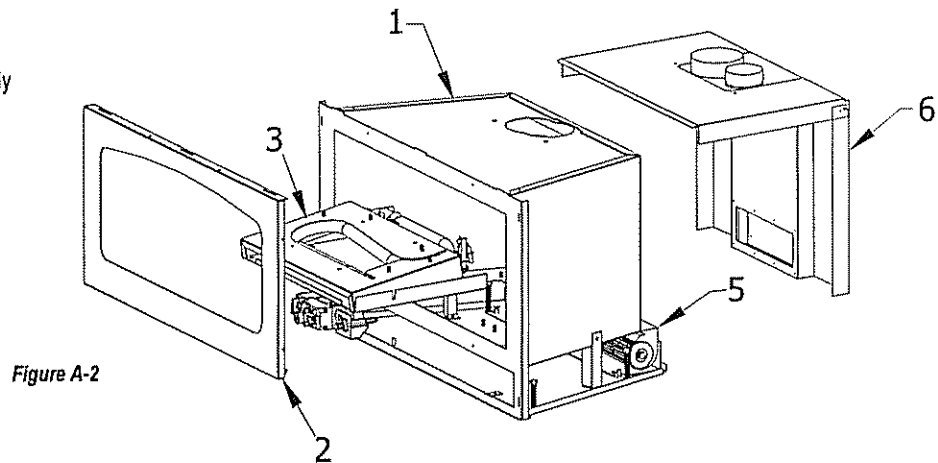


Figure A-2

**NOTE:** A optional masonry panel kit #9XL-MSP (not shown) is available and can be installed on this fireplace when it is installed in a existing masonry opening that is larger than fireplace insert. Its purpose is to concentrate flow of heated room air between the firebox and the panel walls.

Additional components which are necessary for proper installation are:

### 1. Vent System:

**Part #815-CL:** For use with minimum 6" x 8" I.D. masonry or 8" I.D. Class 'A' metal chimneys - Includes 12 ft. compressed, expandable to 25 ft. co-linear 3" x 4" flexible chimney, and termination cap. If your existing chimney is higher than 25 ft. above the fireplace, an extension kit (Part #510) must be used to properly extend the 3" intake and 4" exhaust up to a maximum of 40 ft.

**2. Shroud - 3 pc. & 4 pc.:** Three standard sizes are available for zero clearance fireplaces and three standard sizes are available for masonry fireplaces and will fit most applications. Custom shrouds may be ordered on a non-returnable basis. When ordering a custom shroud, please specify the existing fireplace Manufacturer name, model number and front opening height and width.

**3. Blank Shrouds - 3 & 4 pc.** blank shrouds are available for on-site custom fit applications and are sized to the opening after the insert has been installed. The interior perimeter is properly sized to fit onto the insert. The outer perimeter must be cut, formed and finished (painted).

## A. PREPARE THE EXISTING FIREPLACE

- 1) Record the Manufacturer and Model number of your existing zero-clearance fireplace for future reference
- 2) Remove the smoke baffle, the damper assembly and, if necessary - the firebrick on the sides and back of the existing fireplace to obtain at least the minimum opening requirements listed on page #2.
- 3) Remove any screens and glass doors on the fireplace.
- 4) Remove the existing chimney cap from the chimney
- 5) Clean the chimney and inside of the fireplace to prevent creosote smell from entering the home.
- 6) Paint the existing inner box with high temp black paint so it is not visible when the insert is installed.
- 7) Place 'THIS UNIT HAS BEEN MODIFIED' label in the bottom of the firebox.

## B. RUN THE GAS LINE

**CAUTION: Installation of the gas line must only be done by a qualified person in accordance with local building codes.**

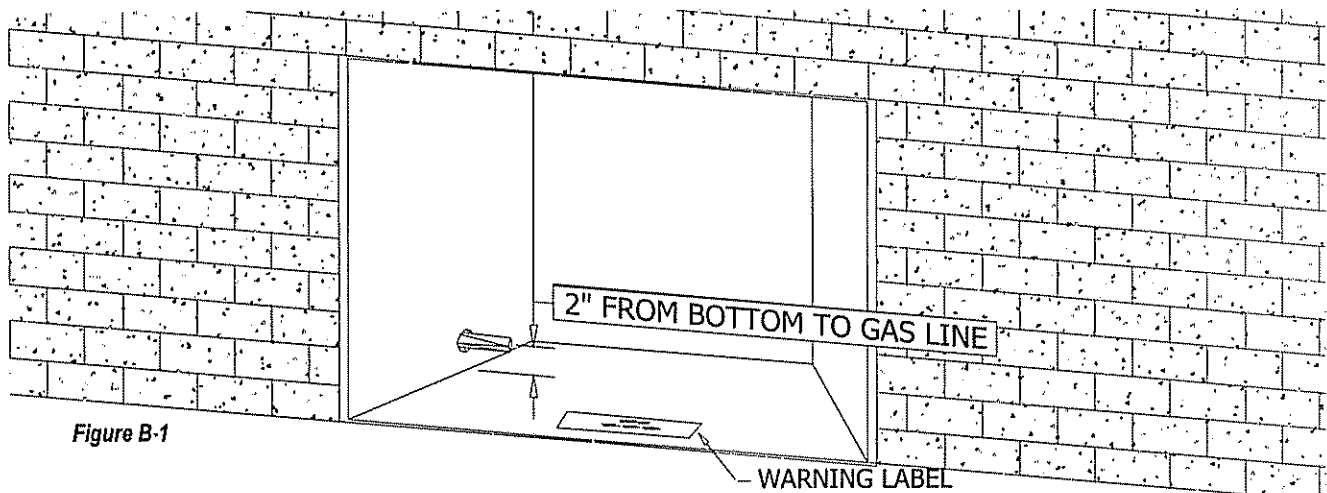
This unit is equipped with a 3/8" flexible gas line connection 18" long

**CAUTION:** The manual shut off valve and millivolt board flexible gas line must not extend outside the unit cavity. See the WARNING label affixed to the flexible gas line for additional installation instructions and warnings

1. Run the gas line into the fireplace, preferably through the side or back, 2" from the bottom of the fireplace. See figure below. A flexible connector should then be attached to the previously run gas line to the point where the manual shut off valve and millivolt board flexible gas line will connect.

**IMPORTANT:** An accessible shut off valve (included with the unit) must be installed up stream from the regulator.

**IMPORTANT: DO NOT RUN THE GAS LINE IN A MANNER THAT WOULD OBSTRUCT THE OPERATION OF THE FAN OR POSITION OF THE SPEED CONTROL.**



- 2 This unit is designed to accept either a 3/8" or 1/2" gas line approved for gas appliances. Consult local building codes to properly size the gas supply line leading to a 3/8" reduction. Also, see the chart below for proper supply line sizing
- 3 Connect the manual shut off valve to the previous run gas line
- 4 The gas line will be connected to the millivolt board later in this manual

**IMPORTANT:**  
**ALL CONNECTIONS WHETHER FIELD OR FACTORY MADE MUST BE CHECKED FOR LEAKS.**

**NOTE:** This appliance and its individual shut off valve must be disconnected from the gas supply piping system during any pressure testing of that system at test pressures in excess of 1/2 psi.

**NOTE:** This appliance must be isolated from the gas supply piping system by closing its individual manual shut off valve during any pressure testing of the gas supply piping systems at test pressures equal to or less than 1/2 psi.

Pressure check taps for both the manifold (outgoing) and inlet (incoming) pressures are located in front of the gas valve. The right pressure tap is the manifold pressure and the left pressure tap is the incoming pressure. Follow instructions on page #21 for checking these pressures.

**NATURAL GAS:**

The minimum inlet gas supply pressure: 5.0 in. W.C.  
 Recommended inlet gas supply pressure: 7.0 in. W.C.  
 The maximum inlet gas supply pressure: 10.5 in. W.C.  
 Manifold Pressure: 3.5 in. W.C.  
 Manifold Pressure (lo setting): 1.7 in. W.C.  
 Orifice size (0-2000 ft): 31      Input rating: 36,000 BTU's  
 Minimum Input rating: 21,400 BTU's

**LP GAS:**

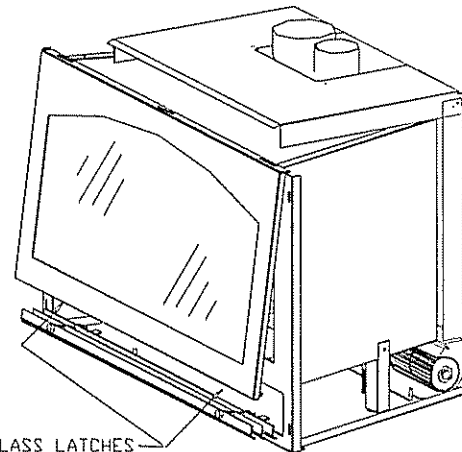
The minimum inlet gas supply pressure: 11.0 in. W.C.  
 Recommended inlet gas supply pressure: 11.0 in. W.C.  
 The maximum inlet gas supply pressure: 13.0 in. W.C.  
 Manifold Pressure: 10.0 in. W.C.  
 Manifold Pressure (lo setting): 6.5 in. W.C.  
 Orifice size (0-2000 ft): 50      Input rating: 34,000 BTU's  
 Minimum Input rating: 23,400 BTU's

*For high altitude installations, consult the local gas distributor or the authority having jurisdiction for proper rating methods.*

**C. REMOVE THE FOLLOWING ITEMS FROM THE FIREPLACE INSERT:**

**1. ARCHED VALANCE GLASS ASSEMBLY:**

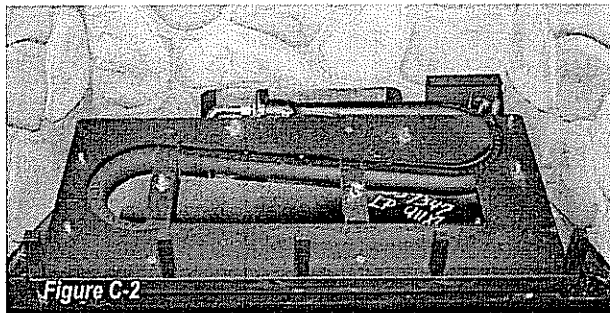
- A) Locate the spring-loaded latches securing the glass assembly (under the firebox).
- B) While holding onto the glass frame, pull the latch handles out to release from the clips on the glass assembly
- C) Pull the bottom of the glass assembly out and lift up off of the tabs (at the top)
- D) Set aside where it will not be broken
- E) Remove the log package from inside the fireplace and set aside for installation later in this manual.



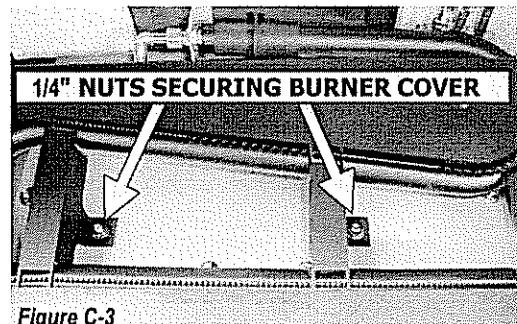
**Figure C-1**

**2. MILLIVOLT BOARD.**

- A) Loosen and remove the 2 nuts securing the burner cover. Remove the burner cover by lifting the front of the cover up then sliding it to the right, off the burner orifice. Remove entire assembly from the firebox. See figures C-2 & C-3 below.



**Figure C-2**



**Figure C-3**

- B) Remove pilot shield from behind the pilot assembly Refer to Figure C-4
- C) Loosen and remove the (2) 1/4" nuts securing the millivolt board to the firebox bottom. Lift the board off the studs and remove from the firebox (Figure C-4)

**IMPORTANT: BE CAREFUL NOT TO DAMAGE THE GASKET UNDER THE BOARD**

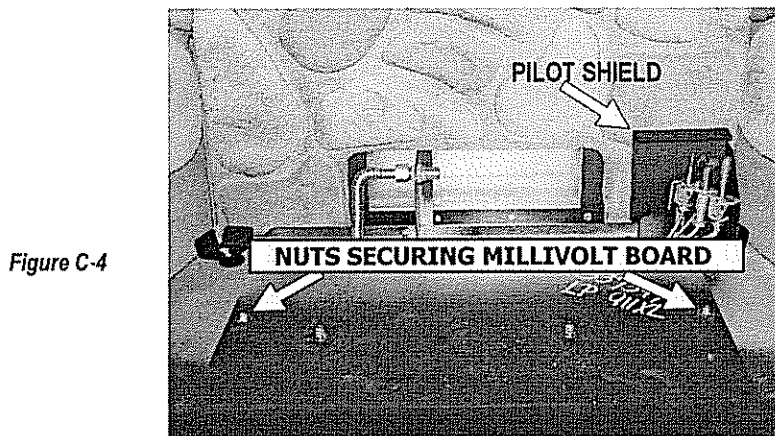


Figure C-4

**NOTE:** The millivolt board is secured with (2) nuts at the factory. After the millivolt board is properly installed it must be secured with 8 nuts (included). The burner / cover assembly is then placed over the millivolt and secured with 2 nuts.

### 3. REMOVE THE AIR DUCT. Figure C-5.

- A. Pull the bottom of the air duct (manifold) out of the (4) mounting holes around the combustion air opening at the back and lift it up from the top of the firebox and set aside.

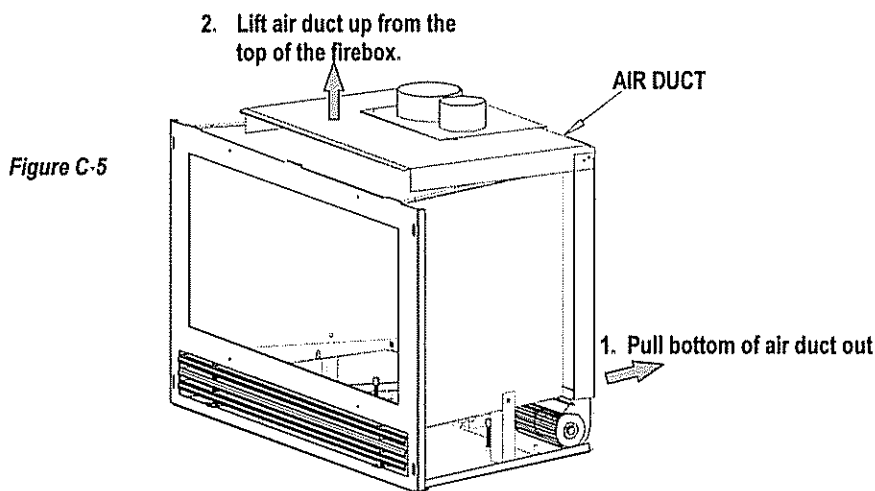


Figure C-5

### D. INSTALLING THE INSERT

**IMPORTANT: ALL STEPS IN SECTION 'A. PREPARE THE EXISTING FIREPLACE' MUST BE COMPLETED BEFORE CONTINUING WITH THIS INSTALLATION.**

#### 1. MASONRY SIDE PANEL INSTALLATION - OPTIONAL

An optional masonry panel kit is available for this insert and includes 1 left panel, 1 right panel and 12 sheet metal screws. These panels are used when the fireplace is installed in an existing masonry opening and must be installed to the air duct (manifold) before the vent system is connected.

## SECURE THE PANELS TO THE AIR DUCT:

IF THE AIR DUCT WILL NOT BE REMOVED, MAKE SURE THE MASONRY SIDE PANELS AND AIR DUCT BACK ARE POSITIONED 'OUTSIDE' THE FLANGE AT THE BOTTOM OF THE INSERT See Fig D-1.

**NOTE:** If the panels are not placed 'outside' the flange at the bottom, it may cause a rattling noise when the fan is in operation.

- 1 Align the 2 holes in the top and 2 holes in the back of the right side panel to the holes on the air duct (2 holes on the top / 2 holes on the back)
- 2 Secure the panel to the air duct with the sheet metal screws (2 on top / 2 on back)
- 3 Repeat for remaining left side panel

Note: The panels will be secured to the front of the insert later in this manual

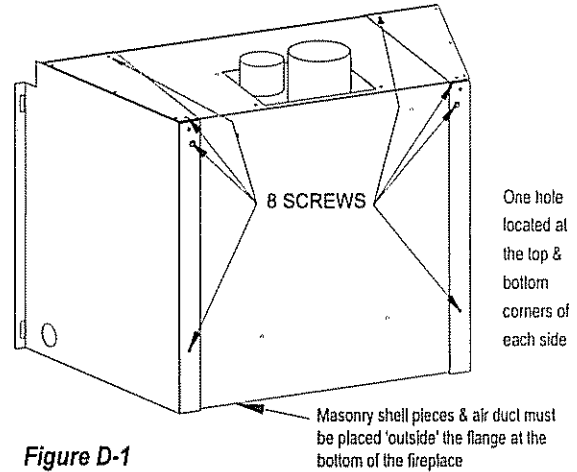


Figure D-1

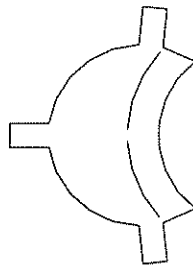
## 2. RESTRICTOR INSTALLATION

The restrictor plate included in the fireplace components packet can be installed as either a large or small restrictor, depending on your specific venting configuration

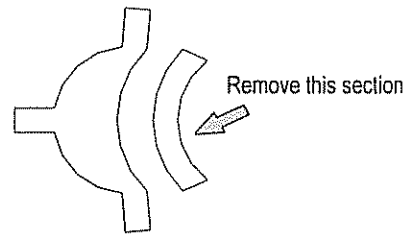
There are several factors which can affect proper draft of the vent system and the burner operation of a fireplace. Installing a restrictor may be necessary to resolve the problem, even though it may not be required under 'normal conditions'.

**IMPORTANT: DO NOT INSTALL IF THE VENTING CONFIGURATION IS AT THE MINIMUM REQUIREMENTS!**

The restrictor included is sized as the 'large' restrictor as shown below. To reduce the size to the small restrictor, simply bend the section without the tabs off at the perforation and discard.

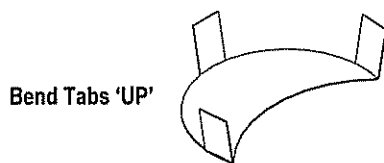


Large Restrictor

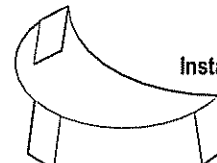


Small Restrictor

To install the restrictor, bend the tabs 'up' far enough (approximately 80-degrees) so that when positioned into the exhaust pipe, will create tension to hold itself in place. Do not over bend the tabs! Slide the restrictor into the exhaust pipe with the tabs pointing *toward* you. Access to the exhaust pipe can be gained by removing the nuts securing the exhaust baffle inside the firebox at the top.



Bend Tabs 'UP'



Install with the tabs pointing *toward* you

**IMPORTANT: REPLACE THE EXHAUST BAFFLE AFTER RESTRICTOR INSTALLATION IS COMPLETE.**

## 2. INSTALL THE VENT SYSTEM

**NOTE:** The 4" exhaust pipe and 3" combustion air intake pipe will extend 25 ft. An optional extension kit (Part #510) is available to extend the #815-CL kit up to a maximum of 40 ft.

- A. Carefully extend the 3" combustion intake and 4" exhaust pipes and extension kit (if used) to equal the total chimney length required.
2. 1. Slide the 3" intake pipe (end without the collar) onto the collar on the termination cap and secure with (3) ½" self-tapping screws (provided).
2. Place a bead of sealant around the inner edge of the 4" exhaust pipe (end without the collar) and slide onto the corresponding collar on the termination cap. Secure with (3) ½" self-tapping screws (provided). Apply additional sealant around the joint to ensure a seal.
- C. If an extension kit is being used, it must be connected as follows:

**Exhaust extension:** Apply a liberal bead of sealant (provided) around the exhaust adaptor (male) extension pipe and slide into the female connector on the end of the 4" exhaust pipe already attached to the chimney termination plates. Secure with (3) ½" self-tapping screws, (provided) To ensure an air-tight seal, additional sealant should be applied at the point of connection.

**Combustion intake extension:** Apply a liberal bead of sealant (provided) around the male end of the extension kit and slide into female end of the 3" combustion intake pipe attached to the chimney termination plates. Secure with (3) ½" self-tapping screws (provided) To ensure an air-tight seal, additional sealant should be applied at the point of connection.

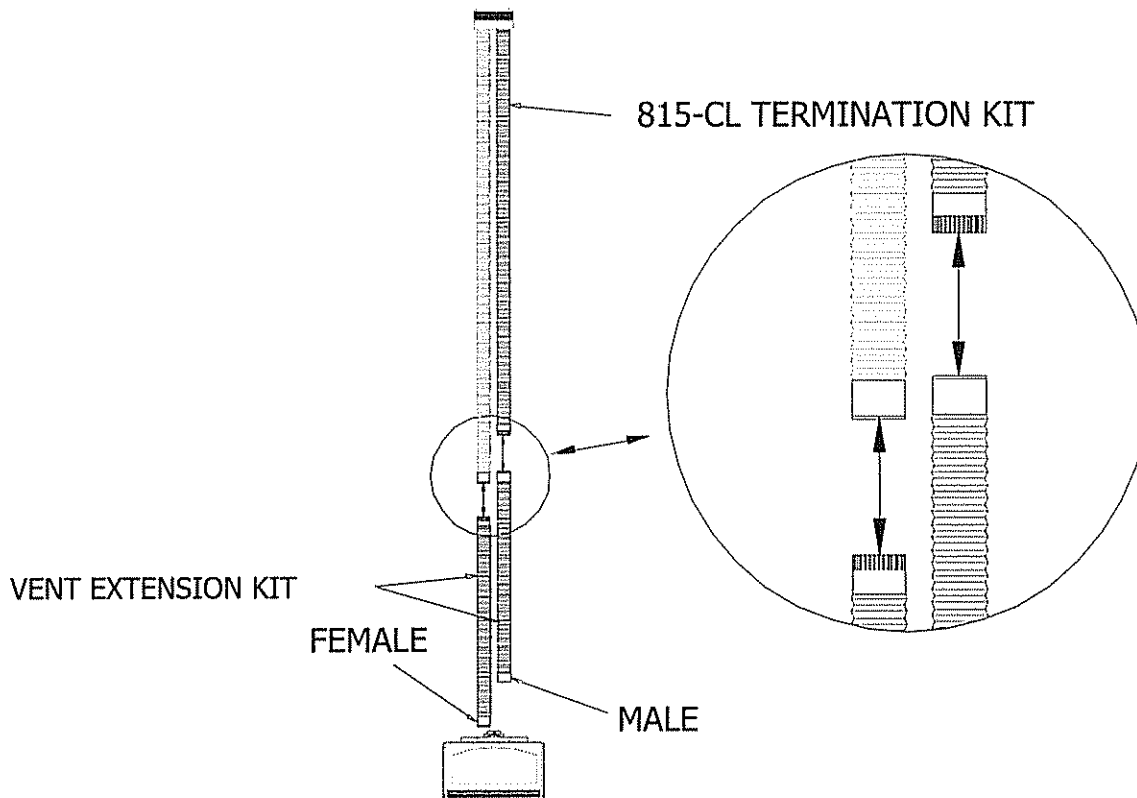


FIGURE D-2

### 3. RUN THE VENT SYSTEM THROUGH THE EXISTING CHIMNEY

❖ **OPTIONAL:** We recommend wrapping the first 3 ft. of the vent system below the termination cap with non-faced fiberglass insulation (secure with wire) before running it through the existing chimney. This will prevent cold air from coming down the existing chimney.

**NOTE:** If there are offsets in the existing chimney, it may be easier to place a weighted rope around the end of the 4" pipe and another weighted rope around the 3" pipe to guide them through it

**DO NOT ATTEMPT TO TIE ONE ROPE AROUND BOTH PIPES.**

A. Guide the rope, if used, and flexible pipes down the existing chimney

B. To secure the chimney termination cap to the existing chimney, apply a liberal bead of sealant (provided) around the top of the existing chimney. Set the termination cap into position.

**OPTIONAL:** Secure the termination cap to the existing chimney with the 2" self-tapping screws and galvanized straps, provided. Screw holes are located at the sides of the termination cap.

C. From inside the opening, grasp the ropes and CAREFULLY pull the ropes until the 3" combustion air intake and 4" exhaust pipe is down into the existing fireplace

❖ **OPTIONAL:** We recommend placing non-faced fiberglass batting insulation between the pipes and existing chimney to prevent heat loss up the chimney. (SEE FIGURE D-3)

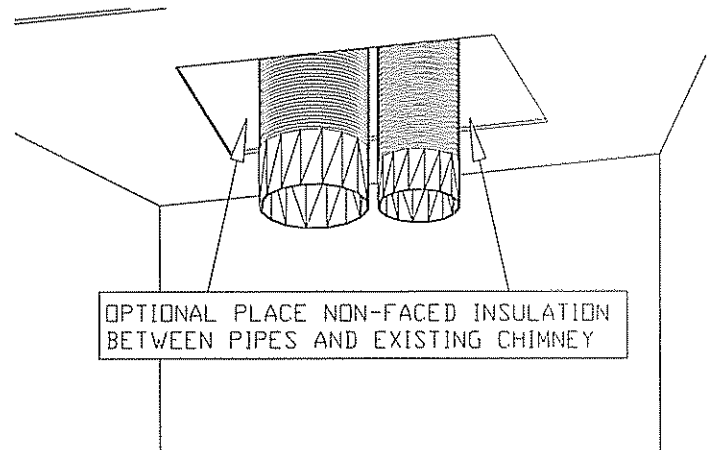


FIGURE D-3

### 4. CONNECT THE VENT SYSTEM TO THE AIR DUCT

A. Place the air duct into the existing fireplace opening

B. Place a bead of sealant (provided) around the 4" exhaust pipe and slide it inside the 4" collar on the duct. Secure with (3) ½" self-tapping screws (provided) and apply additional sealant around the joint to ensure an air tight seal.

C. Apply a liberal bead of sealant (provided) around the 3" collar on the air duct. Slide the 3" combustion intake pipe over the collar and secure with (3) ½" self-tapping screws (provided). To ensure an air-tight seal, apply additional sealant around the joint.

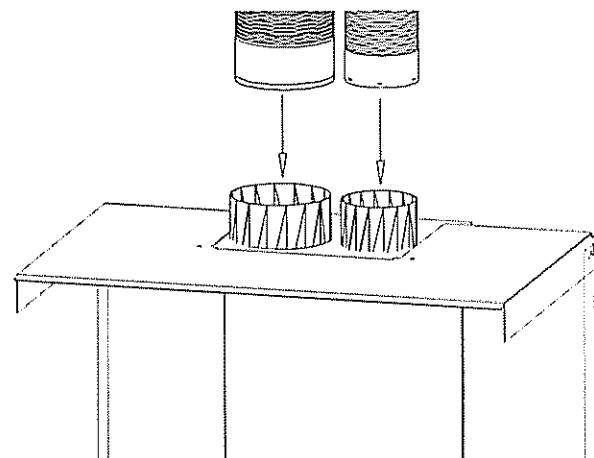


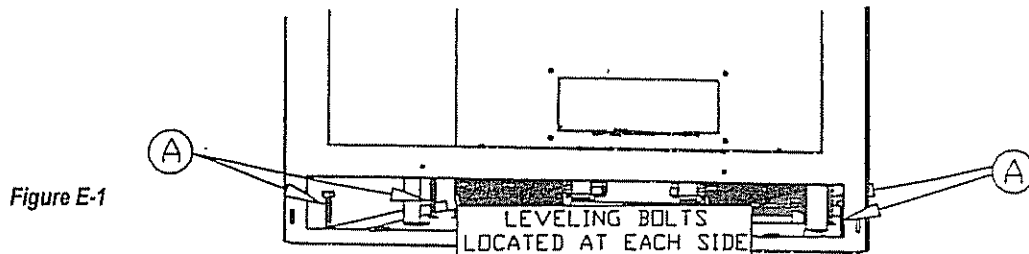
FIGURE D-4

## E. POSITION THE FIREPLACE INSERT:

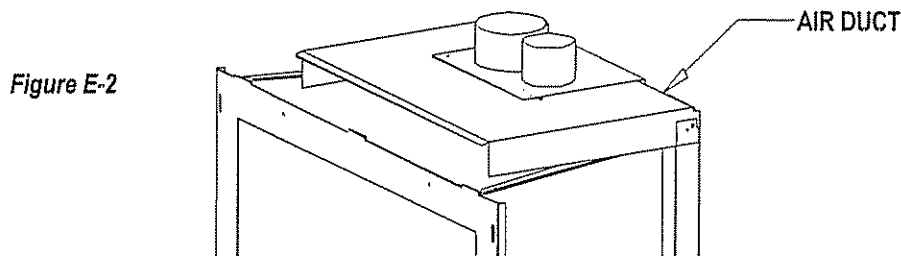
1. Slide the insert in the fireplace opening. If the masonry panels have been installed and secured to the air duct, the panels must be 'outside' the flange at the bottom of the insert.

*NOTE: If the masonry panels are not 'outside' the flange, it may cause a rattling noise when the fan is operating.*

2. If necessary, level the unit by screwing the leveling bolts (included in the components packet) into the nuts mounted in the bottom of the unit behind the lower grill. See figure E-1.



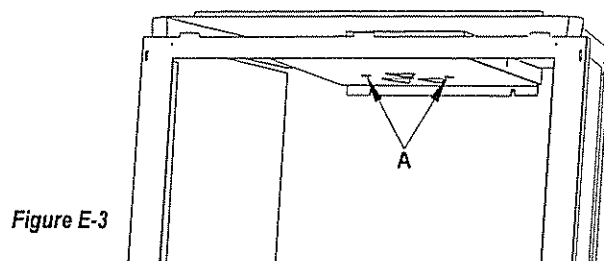
3. Place the air duct onto the fireplace by aligning the (2) mounting studs on each side of the 4" exhaust duct on the air duct to the (2) holes in the fireplace top and aligning the (4) mounting studs at the lower end of the air duct, (around the combustion air intake) into the (4) mounting holes around the combustion air opening at the fireplace back. Set into position



*Shown without the masonry panels.*

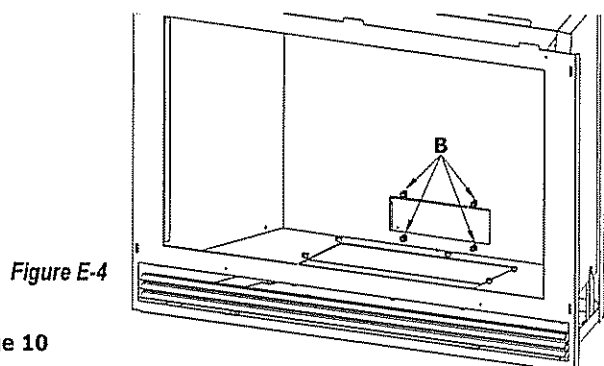
4. Locate the baffle with seasonal heat dump inside firebox and note the (2) access holes on each side of the heat dump. Secure the air duct to the fireplace with (2) 1/4" nuts through the access holes (A).

**IMPORTANT:** Make sure the gasket is properly seated in place.



5. Secure the lower end of the air duct to the firebox by placing a 1/4" nut onto each mounting stud (B) around the combustion intake and tighten (4 total).

**IMPORTANT:** Make sure the gasket is properly seated in place.



## F. SECURE THE MASONRY SIDE PANELS, IF INSTALLED.

1. SECURE THE MASONRY SIDE PANELS: With the panels 'outside' the flange at the bottom, align the holes in the masonry side panels to the holes in the face of the insert and secure with 4 - sheet metal screws (2 ea side), see Figure F-1.

**Note:** If the panels are not placed 'outside' the flange at the bottom, it may cause a rattling noise when the fan is operating.

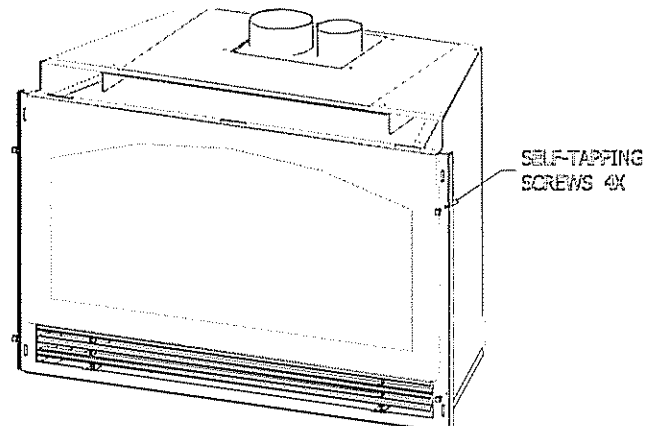


Figure F-1

## G. REINSTALL MILLIVOLT BOARD INSTALLATION. See Figures G-1 - G-3.

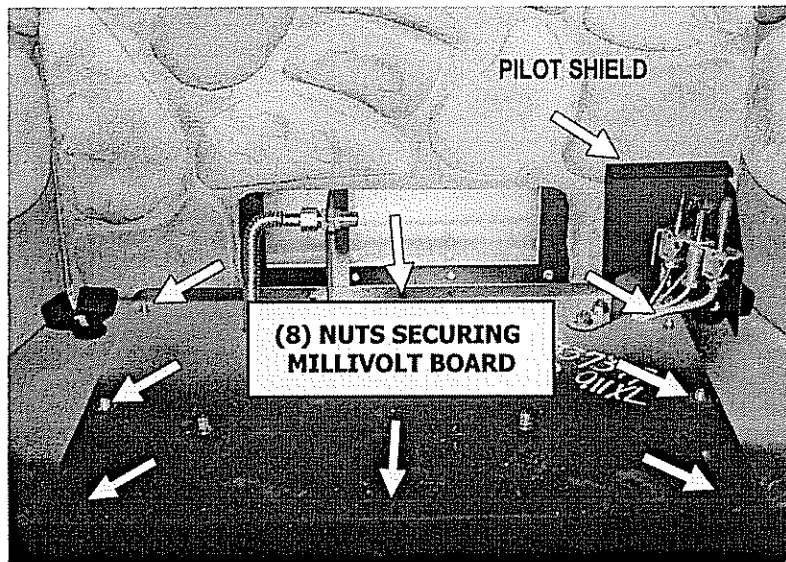
**NOTE:** The millivolt board must be fitted with a gasket, (included) to seal the board. Make certain this gasket is properly placed around the opening before installing the millivolt board

1. Grasp the millivolt board with both hands and place into the unit, lining up the eight 1/4" holes.

**CAUTION:** BEFORE SECURING THE BOARD INTO PLACE, MAKE CERTAIN THAT ALL OF THE WIRES (ATTACHED UNDER THE BOARD) ARE CLEAR AND UNOBSTRUCTED.

2. Attach the (8) nuts (using the (2) nuts previously removed and the remaining (6) nuts from the fireplace components packet). Tighten all (8) nuts.

Figure G-1



3. Place pilot shield into position as shown in Figure G-1 above.

**CAUTION:** WHEN INSTALLATION OF THE MILLIVOLT BOARD IS COMPLETE, CHECK TO ENSURE THAT THERE ARE NO WIRES, FLEXLINES, ETC. TOUCHING THE FAN TERMINALS.

4. Place the burner / cover assembly onto the board, properly seating the burner tube over the orifice and aligning the mounting holes in the burner brackets to the corresponding mounting studs on the bottom of the millivolt board. Figures G-2 & G-3.
5. Secure the burner cover with the remaining (2) nuts. Figure G-3.
6. Connect the flexible gas line to the manual shut off valve.
7. Connect any remote control, wall switch or thermostat wires, if used.

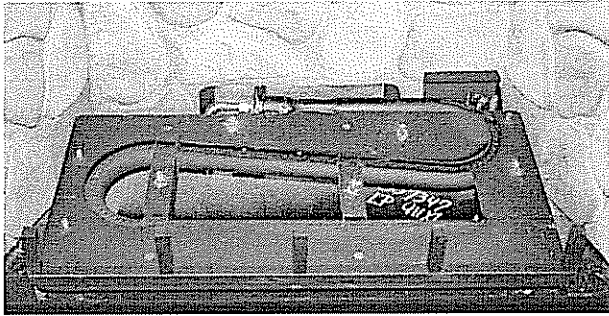


Figure G-2

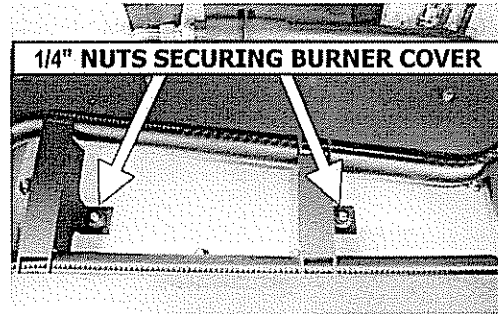


Figure G-3

## H) ASSEMBLE & ATTACH THE SHROUD

Shroud assembly includes: (1) Shroud top (1) Shroud left side (1) Shroud right side with on/off rocker switch mounting hole  
 (1) Set (1 left & 1 right) 'inside fit' brackets.  
 (8) Screws

Additional Items Needed: Rocker switch & wires from the fireplace components packet.  
 Upper grill (grill set sold separately)

### ASSEMBLE THE SHROUD - Figures H-1 & H-2

1. Loosen and remove the nuts attached to the upper grill. Place the upper grill rods through the holes in the shroud top piece and secure with the nuts (A). NOTE: The louvers on the grill should be in the downward position.
3. Secure the right and left shroud pieces to the top piece by aligning the (2) holes in the side pieces to the holes in the top piece. Secure with the screws provided (2 ea. side) (B). NOTE: Screws are secured from the bottom.

Figure H-1

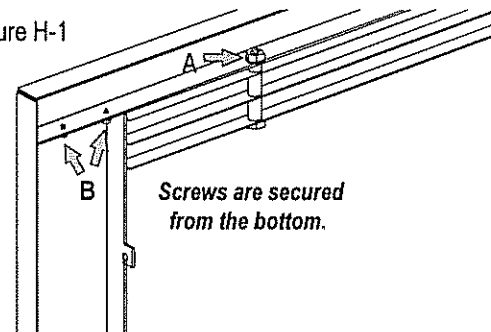
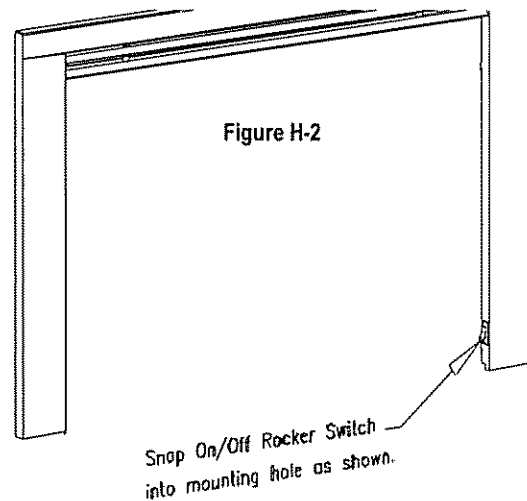


Figure H-2



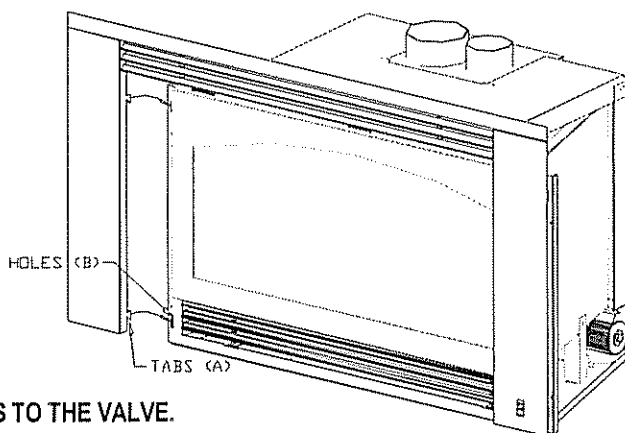
4. Snap the rocker switch in place on the shroud. Figure H-2.
5. Slide one connector on one end of each rocker switch wire to the rocker switch terminals.

## ATTACH THE SHROUD

### OUTSIDE FIT APPLICATIONS:

1. Attach the shroud to the fireplace by inserting the tabs (A) on the left and right shroud pieces to the holes (B) in the face of the fireplace. The shroud will set down into place. Figure H-3.

Figure H-3



CONNECT THE ROCKER SWITCH WIRES TO THE VALVE.  
Refer to figure M-1, page 20.

1. Slide the remaining connectors on the rocker switch wire to the top and bottom terminals marked 'TH' on the valve.

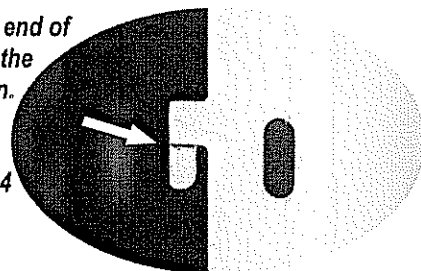
### INSIDE FIT APPLICATIONS:

NOTE: INSIDE FIT APPLICATIONS REQUIRE THE 'INSIDE FIT MOUNTING BRACKETS', INCLUDED WITH THE SHROUD, FOR INSTALLATION.

- A) Remove the glass assembly. Refer to page 6 if necessary.
- B) Assemble the shroud, install the upper grill & on/off rocker switch as described on page 12 of these instructions.
- C) Referring to figure H-4, use a tin snips to cut off the lower end of all (4) mounting tabs on the shroud side pieces.

Cut lower end of each tab at the location shown.

Figure H-4



### IMPORTANT- MOUNTING BRACKET ORIENTATION:

The bracket with the notched out section at the bottom is the right mounting bracket. Figure H-5.

The flanges on both mounting brackets shroud should be toward the inside of the fireplace. Figure H-5.

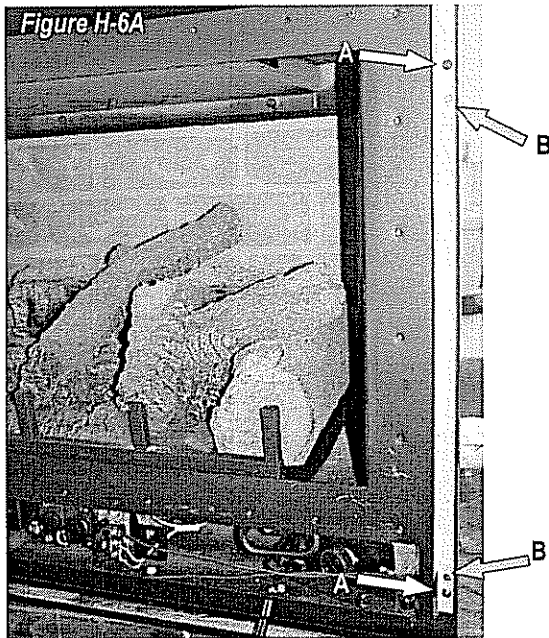
4. MASONRY PANEL INSTALLATIONS: If you have installed the optional masonry panels (Models #911 & #911 XL), refer to figure H-6A, page 14.

Remove the screws (A) (2 ea. side) securing the masonry panels. Figure H-6A.

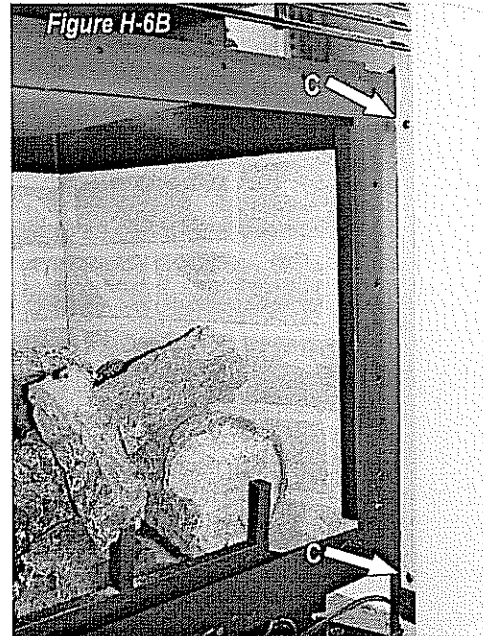


Figure H-5 - Note flange orientation

5. Align the holes in the right mounting bracket to the corresponding holes in the fireplace face & masonry panels. Figure H-6A.  
NOTE: Make sure the brackets are positioned as shown in figure H-5.
6. Secure the bracket to the face through the top & bottom holes with (2) of the screws provided (A) and the center holes (2) with the screws (B) removed in step #4. Figure H-6A.
7. Repeat for left mounting bracket.
8. Position the tabs (lower end previously cut), on the shroud, 2 each side, into the slots in the fireplace face and align the oblong holes on the left & right inside flange of the side shroud pieces to the holes in the mounting brackets. Secure with the remaining (4) screws (C), 2 each side. Figure H-6B.



*Secure brackets at top & bottom holes with screws provided.*

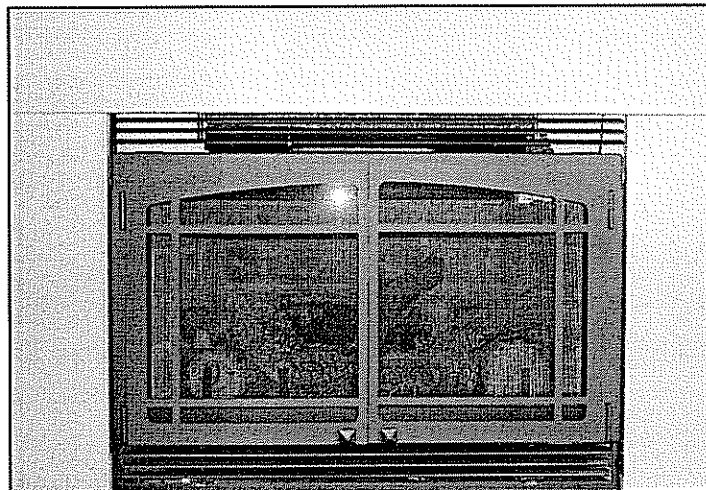


*Secure shroud to brackets at inside flange.*

**CONNECT THE ROCKER SWITCH WIRES TO THE VALVE**  
Refer to wiring diagram, figure M-1, page 20.

1. Slide the remaining connectors on the rocker switch wire to the top and bottom terminals marked 'TH' on the valve.

*Completed Shroud Installation*



## I. COMPLETE THE FAN INSTALLATION:

This insert comes complete with a fan, speed control and temperature limit switch assembly already installed. This fan is equipped with a three-prong (grounding) plug attached to the end of the 8 ft fan electrical cord for protection against shock hazard and should be plugged directly into a properly grounded three-prong receptacle. Do not remove the grounding prong from the plug. Do not allow any excess fan cord to touch the firebox.

1. Attach the limit switch on the left side of the millivolt board under the firebox
2. Plug fan cord into the nearest, properly grounded receptacle

Note: The fan will not operate unless the speed control has been turned on. The fan will not turn on until sufficient heat is applied to the thermostatic control switch. The fan will then turn on and off automatically when the fireplace heat and cools. Adjust fan to desired speed while it is running.

NOTE: THIS FAN SYSTEM, WHEN INSTALLED, MUST BE ELECTRICALLY CONNECTED AND GROUNDED IN ACCORDANCE WITH LOCAL BUILDING CODES, OR IN THE ABSENCE OF LOCAL BUILDING CODES, WITH THE NATIONAL ELECTRICAL CODE, ANSI/NFPA 70.

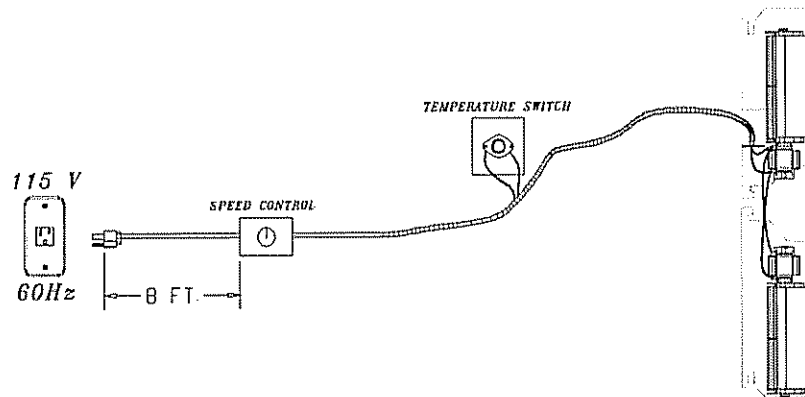


Figure I-1

**CAUTION:** WHEN INSTALLATION OF THE MILLIVOLT BOARD IS COMPLETE, CHECK TO ENSURE THAT THERE ARE NO WIRES, FLEXLINES, ETC. TOUCHING THE FAN TERMINALS.

## J. LOG INSTALLATION. See Figures J-1 - J-3.

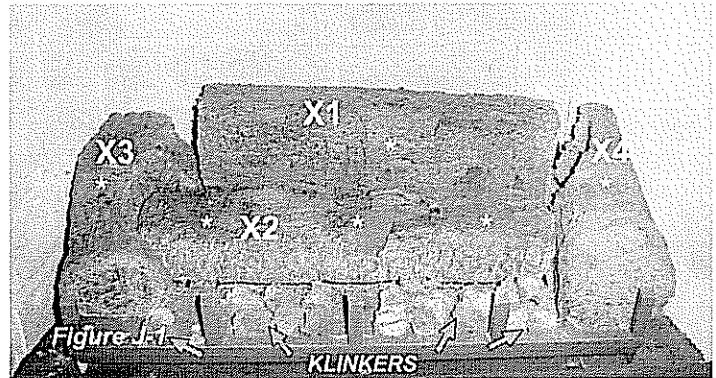
This #936-50E log set includes:

(1) X1 Log	(1) X6 Log	(1) X9 Log
(1) X2 Log	(1) X7 Log	(1) X10 Log
(1) X3 Log	(1) X8 Log	(1) Klinker pkg.
(1) X4 Log	(1) Rock wool embers pkg.	

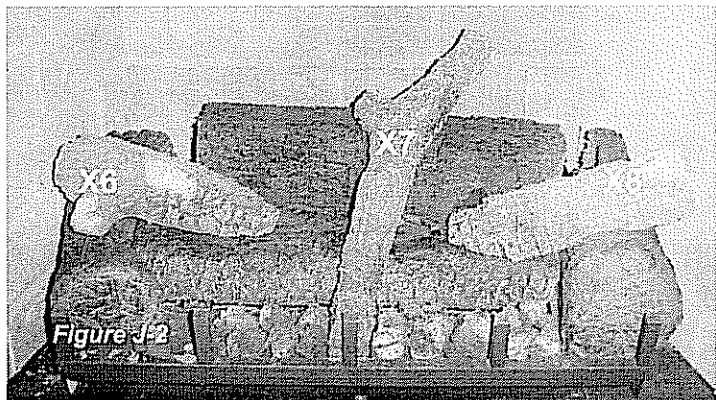
\*Note: X5 Log is not used in this log set & has been intentionally omitted

**NOTE:** The logs are numbered on the bottom side - refer to the instructions below for proper placement. The base logs have mounting holes incorporated into the bottom of the logs and should be positioned onto the corresponding mounting studs. Alignment cut-outs have been designed into the logs for proper positioning. Their location on the logs are represented as an "V" in the photos below.

- A) Position the base logs onto the burner cover in the following order: X1, X2, X3 & X4. Align the mounting holes in the bottom of the logs to the corresponding mounting studs. Pull X1 log forward, toward the burner tube. Refer to figure J-1.
- B) Place klinkers behind the log grate in the front of the burner cover as shown in figure 1. Do not place klinkers behind the 2<sup>nd</sup> & 3<sup>rd</sup> grate extensions. The X7 and X9 logs, when properly installed, set on the burner cover, not on klinkers.
- C) Place rock wool embers as desired onto the base logs & burner to enhance flame & glowing effect.

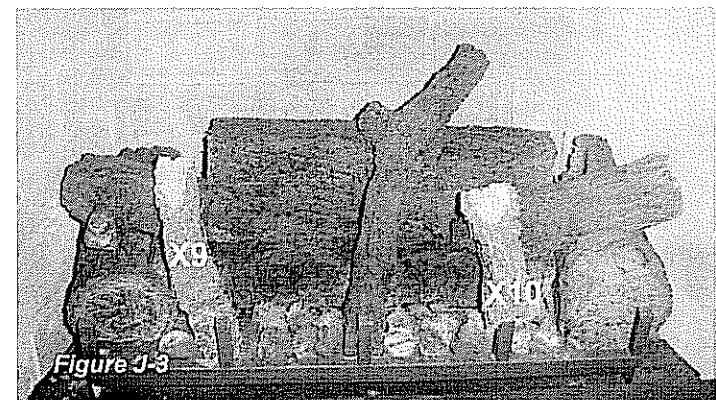


- D) Position the middle logs onto the alignment cut-outs in the base logs in the following order: X6, X7, & X8. Refer to figure J-2.



- E) Position top logs X9 & X10 onto the alignment cut-outs in the base logs and middle logs and shown in figure J-3.
- F) Place additional rock wool ember material as desired onto the logs to enhance glowing effect.

**NOTE:** You will not use all the rock wool ember material at this time. Do not plug burner portholes or use excessively.



## K. COMPLETE THE INSTALLATION

### 1. THIS STEP SHOULD ONLY BE DONE BY A QUALIFIED INSTALLER OR SERVICE TECHNICIAN:

- A) Perform lighting and shutdown procedures as described on pages #19-20. This should be done prior to replacing the glass so that any necessary adjustments can be made and proper operation and log position verified

### 2. SEASONAL HEAT DUMP ADJUSTMENT:

This fireplace insert has been manufactured with a heat vent damper located at the top inside the firebox. This allows infinite control over the amount of heat emitted into the living area without affecting the flame height.

INSTALLER: Please install the fireplace insert with the heat vent damper in the closed position

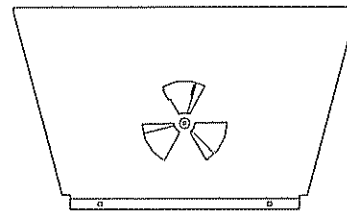
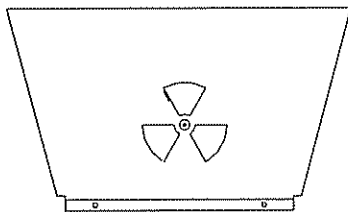
HOMEOWNER: The fireplace has been installed with the heat dump in the closed position and will operate at its peak efficiency. The heat dump may be opened as much as necessary to maintain desired heat level.

TO ADJUST:

**CAUTION: DO NOT ATTEMPT TO ADJUST THE HEAT DUMP OPENING IF THE FIREPLACE HAS BEEN IN OPERATION. ALLOW AMPLE TIME TO COOL OR USE THE APPROPRIATE PROTECTION TO AVOID SERIOUS BURNS AND/OR PROPERTY DAMAGE.**

- A. Remove the glass assembly & open or close the damper as desired.

HEAT OUTLET  
SHOWN IN CLOSED  
POSITION



HEAT OUTLET SHOWN  
IN PARTIAL OPENED  
POSITION.

### 3. REPLACE THE ARCHED VALANCE GLASS ASSEMBLY. Refer also to Figure K-1.

**WARNING: DO NOT OPERATE THIS FIREPLACE WITH THE GLASS ASSEMBLY REMOVED, CRACKED, OR BROKEN. Replacement of the glass assembly should be done by a licensed or qualified service person.**

- A. Align the 3 slots in the top of the glass assembly over the 3 tabs on the fireplace (at the top)
- B. Place the glass assembly so it is flush with the front of the fireplace front
- C. While holding the glass assembly, pull the latches out and secure over the glass latch clips on the bottom of the glass frame locking it in place

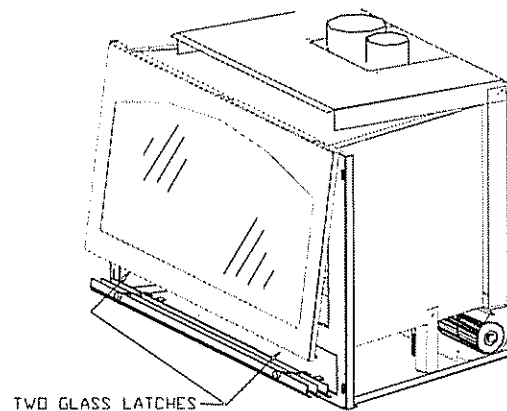


Figure K-1

### 4. INSTALL THE LOWER GRILL. Refer to Figure K-2

- A. Remove the (2) 1/4" nuts from the grill.
- B. Place the bolts through the hinges in the lower grill opening
- C. Attach the 1/4" nuts
- D. Tighten both 1/4" nuts

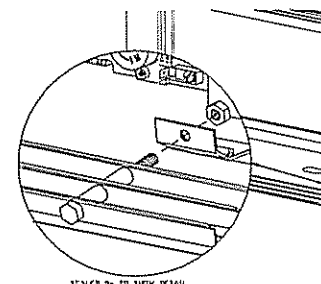


Figure K-2

## L. THERMOSTAT - WALL SWITCH - REMOTE INSTALLATION (optional).

**CAUTION:** DO NOT connect high voltage (115 V) wire to the switch.

If desired, a thermostat, wall switch or remote control unit may be used to turn the unit off and on. Only one of these may be installed. Follow instructions included with each kit.

**IMPORTANT:** An insulated cover is included with the remote control and must be placed over the receiver to protect it from overheating.

**OPTIONAL:** Disconnect the on/off rocker switch wires from the top & bottom terminals on the gas valve

**NOTE:** INSTALLATION OF A THERMOSTAT OR WALL SWITCH SHOULD ONLY BE DONE BY A QUALIFIED INSTALLER.

### WALL SWITCH / THERMOSTAT USERS:

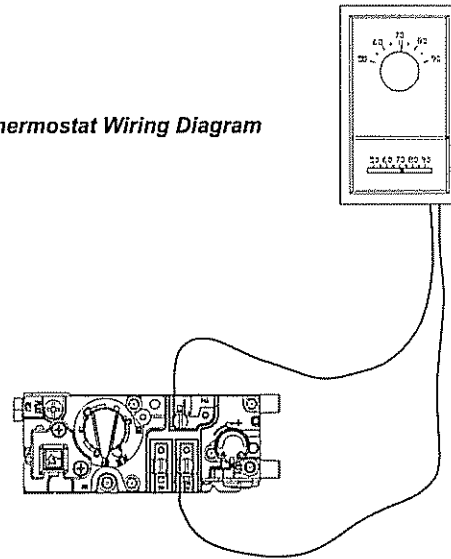
Run low-voltage (thermostat) wire from the gas valve terminals behind the lower grill to the desired location of the thermostat or wall switch

Do not run wire more than 30'. **NOTE:** If too heavy of wire is used or run more than 30', the electricity generated by the unit's generator will not be sufficient to make the regulator work properly

**IMPORTANT:** No high voltage (115v) is required to operate any of these systems

Attach the appropriate connector to each wall switch / thermostat wire and connect to the top and bottom terminals on the gas valve

*Thermostat Wiring Diagram*



*Figure L-1*

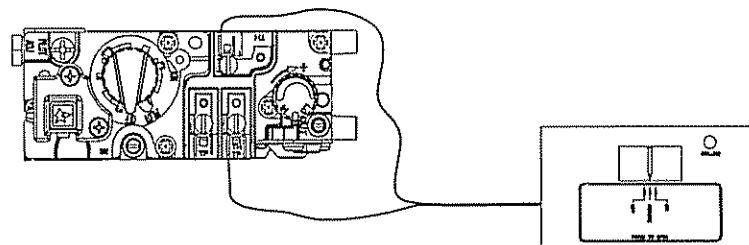
**IMPORTANT:** The on/off rocker switch on the shroud must be in the 'off' position for proper operation of any of these components

If the rocker switch is 'on', the fireplace burner will operate until it is turned 'off' by the rocker switch. A wall switch, thermostat, or remote control will not turn the fireplace 'off' when it has been turned 'on' by the rocker switch.

**Note:** The fireplace must be turned 'on' and 'off' by the same method. For example: If the fireplace is turned 'on' by the remote, it must be turned 'off' by the remote.

*Remote Control Wiring Diagram*

*Figure L-2*



## M. LIGHTING & SHUTDOWN

**NOTE:** Prior to lighting, check all fittings for leakage. This is accomplished by applying soapy water on all connections made. If there is any leakage, bubbles will appear at the point of connection. If bubbles occur, tighten the fittings until the bubbles no longer appear.

**IMPORTANT: TEST ALL CONNECTIONS WHETHER FIELD OR FACTORY MADE.**

**NOTE:** The appliance and its individual shutoff valve must be disconnected from the gas supply piping system during any pressure testing of that system at test pressures in excess of ½ psi.

**NOTE:** The appliance must be isolated from the gas supply piping system by closing its individual manual shut off valve during any pressure testing of the gas line at test pressures equal to or less than 1/2 psig (3.5 kPa).

Pressure check taps for the manifold (outgoing) and inlet (incoming) pressures are located in front of the gas valve. The right pressure tap is the manifold pressure and the left pressure tap is the incoming pressure. Follow instructions on page #21 for checking these pressures.

### FOR YOUR SAFETY - READ BEFORE LIGHTING

**WARNING:** If you do not follow these instructions exactly, a fire or explosion may result causing property damage, personal injury or loss of life.

1. This appliance has a pilot which must be lighted by hand. When lighting the pilot, follow these instructions exactly.
2. **BEFORE LIGHTING**, smell all around the appliance for gas. Be sure to smell next to the floor because some gas is heavier than air and will settle on the floor.
3. Use only your hand to push in or turn the gas control knob. Never use tools. If the knob will not push in, or turn by hand, don't try to repair it, call a qualified service technician. Forced or attempted repair may result in a fire or explosion, and loss of warranty.
4. Do not use this appliance if any part has been under water. Immediately call a qualified service technician to inspect the appliance and to replace any part of the control system which has been under water.

**DO NOT STORE OR USE GASOLINE OR OTHER FLAMMABLE VAPORS AND LIQUIDS IN THE VICINITY OF THIS OR ANY OTHER APPLIANCE.**


**DUE TO HIGH SURFACE TEMPERATURES, KEEP CHILDREN, CLOTHING AND FURNITURE AWAY**

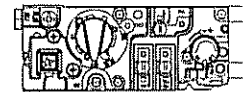
This appliance needs fresh air for safe operation and must be installed so there are provisions for adequate combustion and ventilation air.

#### WHAT TO DO IF YOU SMELL GAS:

- \*Do not touch electrical switches.
- \*Do not try to light any appliance.
- \*Do not use any phone in your building.
- \*Follow the gas supplier's instructions.
- \*Immediately call your gas supplier from a neighbor's phone.
- \*If you cannot reach your gas supplier, call the fire department.


**NOTE:** Read 1-8 before lighting the unit for the first time. Refer to figure M-1, page 20.

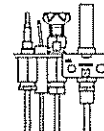
1. Open the lower grill by grasping the center of the top louver, and pull out and down.
2. Set the thermostat to the lowest setting. (If installed.)
3. Turn off all electric power to the appliance. (Fan)
4. Push in control knob (A) slightly and turn clockwise  to "OFF".



**GAS VALVE**

**NOTE:** Knob cannot be turned from "PILOT" to "OFF" unless knob is pushed in slightly. Do not force.

5. Wait five (5) minutes to clear out any gas. If you then smell gas, STOP! Follow the safety information on page 1 of this installation manual. If you don't smell gas, go to the next step.
6. Find the pilot - follow metal tube from the gas valve. The pilot is located at the back right corner, behind the burner tube.
7. Turn the black knob on gas control counterclockwise  to "PILOT".
8. Push in the black control knob all the way and hold in. Press the ED igniter button (B). The pilot will generally light with two or three pushes on the igniter. Hold the knob in for about one (1) minute after the pilot is lit. Release knob and it will pop back out. Pilot should remain lit. If it goes out, repeat steps 4 through 8.



- \* *If knob does not pop out when released, stop and immediately call your service technician or gas supplier.*
- \* *If the pilot will not stay lit after several tries, turn the gas control knob to "OFF" and call your service technician or gas supplier.*


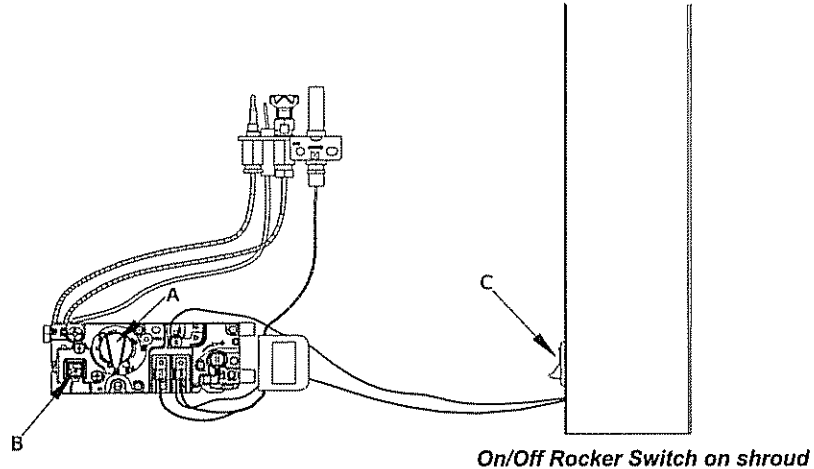

9. Turn gas control knob counterclockwise  to "ON".
10. The burner can now be turned 'ON' or lit by depressing the bottom of the ON/OFF rocker switch (C) **OR** by setting the thermostat or remote control to desired setting.
11. Close the lower grill.
12. Turn on electric power to the fireplace. NOTE: When the fireplace is initially lit, condensation will appear on the glass. This is normal in all gas fireplaces and will disappear in one to three minutes.
13. If you wish to turn the burner 'OFF', depress on the ON/OFF rocker switch to the 'OFF' position, flip 'OFF' the wall switch, or adjust the setting on the thermostat or remote control. NOTE: The pilot will stay lit.

Figure M-1



**TO TURN GAS 'OFF' TO THE APPLIANCE:**

1. Open the lower grill by grasping the center of the top louver, then pull out and down to access the gas valve controls.
2. Set the thermostat to the lowest setting. (If installed.)
3. Turn off all electric power to the appliance if service is to be performed.
4. Push in control knob (A) slightly and turn clockwise  to the 'OFF' position. Do not force.

**INITIAL BURN PERIOD**

**DURING THE INITIAL BURN PERIOD, THE REFRACTORY WILL DISCOLOR AND A PAINT SMELL WILL OCCUR. THIS IS NORMAL. ONCE THE CURING PROCESS IS COMPLETE, THIS WILL SUBSIDE. IT IS RECOMMENDED TO LEAVE THE FAN OFF DURING THIS PERIOD AS THIS WILL SPEED UP THE PAINT CURING PROCESS. DO NOT BURN THIS FIREPLACE WITHOUT THE GLASS PROPERLY IN PLACE.**

**\*\*MAKE SURE THE HOMEOWNER IS AWARE OF THIS\*\***

**THIS FIREPLACE INSERT MAY PRODUCE NOISES OF VARYING DEGREE AS IT HEATS AND COOLS DUE TO METAL EXPANSION AND CONTRACTION. THIS IS NORMAL AND DOES NOT AFFECT THE PERFORMANCE OR LONGEVITY OF THE FIREPLACE.**

**NOTE: Children and adults should be alerted to the hazards of high surface temperature and should stay away to avoid burns or clothing ignition. Young children should be carefully supervised when they are in the same room as the appliance.**

**Clothing or other flammable material should not be placed on or near the appliance.**

## PRESSURE TEST - MANIFOLD & INLET PRESSURE

**IMPORTANT NOTICE:** A pressure check tap for both the manifold (outgoing) and inlet (incoming) pressure has been incorporated into the valve by Honeywell. The right pressure tap is the manifold pressure and the left pressure tap measures the incoming pressure. Follow the instructions below for proper pressure testing procedures.

### TO CHECK THE MANIFOLD PRESSURE:

1. Light pilot
2. Loosen the manifold pressure tap [D] by turning the screw counter-clockwise.
3. Attach manometer to pressure tap using a 5/16" I D. hose [F].
4. Turn black control knob [A] to the 'ON' position.
5. Turn the burner 'ON' by depressing the bottom of the rocker switch [C] and note manometer reading.
6. Turn the rocker switch [C] to the 'OFF' position.
7. Disconnect manometer hose and tighten screw (clockwise). Screw should be snug, do not over tighten.
8. Attach manometer to manifold pressure tap to verify that it is completely sealed. Manometer should read no pressure when the rocker switch is turned 'ON'.

**NOTE:** If manifold pressure reading is within the normal range, an incoming pressure check is not necessary. A too high or too low pressure reading warrants an inlet (incoming) gas pressure check.

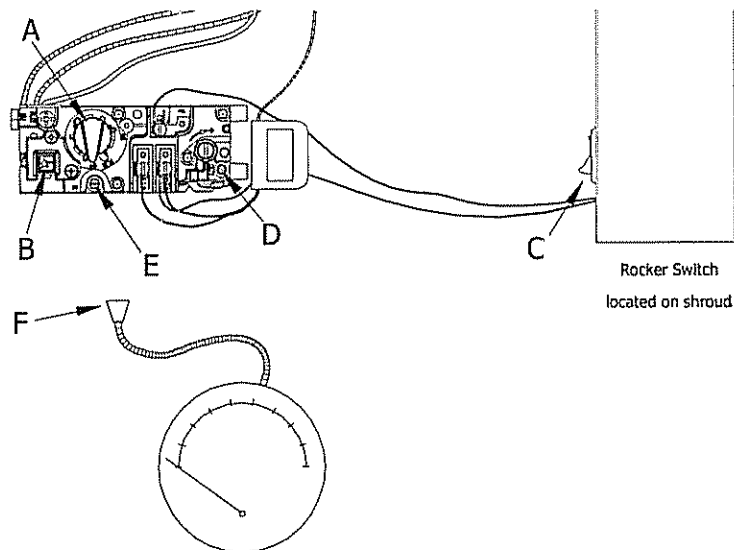
### TO CHECK THE INLET PRESSURE:

1. Loosen Inlet pressure tap screw [E] by turning screw counter-clockwise.
2. Attach manometer using a 5/16" I D. hose [F].
3. Light the pilot.
4. Turn the black control knob [A] to the 'ON' position. (Burner should not come 'ON') and note manometer reading.
5. Turn the rocker switch [C] to the 'ON' position by depressing the bottom of the switch and check the pressure to ensure that it stays near the maximum inlet pressure.
6. Turn the rocker switch [C] to the 'OFF' position.
7. Turn the pilot to the 'OFF' position.
8. Disconnect hose and tighten screw (clockwise). Screw should be snug, do not over tighten.
9. Relight pilot and turn the control knob [A] to the 'ON' position. Attach manometer to the inlet pressure tap to verify that it is completely sealed. Manometer should read no pressure.

**NOTE:** If Inlet pressure reading is too high or too low, contact the gas company. Only a qualified gas service technician should adjust the incoming gas pressure.

**CAUTION: A LOW PRESSURE READING CAN CAUSE DELAYED IGNITION.**

FIGURE M-2



## N. MAINTENANCE REQUIREMENTS

1 The appliance should be inspected at least once a year by a professional service person.

NOTE: INSTALLATION AND REPAIR SHOULD BE DONE ONLY BY A QUALIFIED SERVICE PERSON. THE APPLIANCE SHOULD BE INSPECTED BEFORE USE AND AT LEAST ANNUALLY BY A QUALIFIED SERVICE PERSON. MORE FREQUENT CLEANING MAY BE REQUIRED DUE TO EXCESSIVE LINT FROM CARPETING, BEDDING MATERIAL, ETC. IT IS IMPERATIVE THAT CONTROL COMPARTMENTS, BURNERS AND CIRCULATION AIR PASSAGEWAYS OF THE APPLIANCE BE KEPT CLEAN.

**DO NOT OBSTRUCT THE FLOW OF COMBUSTION AND VENTILATION AIR.**

2 The compartment below the firebox (behind the lower grill) must be cleaned at least once a year, more frequent cleaning may be required due to excessive lint from carpeting, bedding materials or other fibrous materials. It is imperative that the burner be cleaned once a year.

### FAN

The fan should be disconnected from electrical current, and cleaned (vacuumed) every six months. The bearings are sealed and require no oiling.

### VENT SYSTEM

Annual examination of the venting system by a qualified agency is required.

1. Remove the glass on the front of the unit.
2. For easier access, remove the logs.
3. Cover the millivolt board system.
4. Loosen the nuts securing the baffle at the back of the firebox.
5. Examine proper sealing of vent system.
6. Replace baffle and nuts. Tighten nuts only enough to secure baffle. Baffle must be allowed to 'float' as the fireplace heats and cools.
7. Replace the logs and glass.

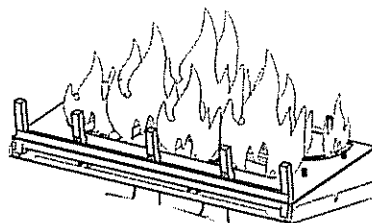
NOTE: If the vent-air intake system is disassembled for any reason, reinstall and seal in accordance to the instructions on pages #8 - #10 in this installation manual.

ANY SAFETY SCREEN OR GUARD REMOVED FOR SERVICING MUST BE REPLACED PRIOR TO OPERATING THE APPLIANCE.

### MILLIVOLT BOARD SYSTEM

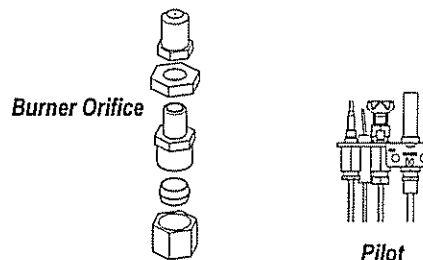
1. Annual cleaning of the burner is required. The burner cover may be removed for easier access. Refer to figure C-2, page #6.

Visually check for blocked port holes, especially near the pilot. Blocked port holes may cause delayed ignition.



Millivolt board

2. Visually check the pilot light and burner when they are burning. See Figures above and below. The flames should be steady, not lifting or floating.



### GLASS CLEANING & REPLACEMENT

- Clean glass only when cool and only with non-abrasive cleansers.
- Do not operate this fireplace with the glass / frame assembly removed, cracked or broken.
- The glass, Part #700-07T shall only be replaced as a complete unit, as supplied by Hussong Mfg Co., Inc.
- Replacement of the glass, Part #700-07T must only be performed by a licensed or qualified service person. DO NOT SUBSTITUTE MATERIALS.
- Do not strike or slam glass door assembly.

**CAUTION:** KEEP THE APPLIANCE AREA CLEAR OF COMBUSTIBLE MATERIALS, SUCH AS GASOLINE AND OTHER FLAMMABLE VAPORS AND LIQUIDS.

**CAUTION:** LABEL ALL WIRES PRIOR TO DISCONNECTION WHEN SERVICING CONTROLS. WIRING ERRORS CAN CAUSE IMPROPER AND DANGEROUS OPERATION. VERIFY PROPER OPERATION AFTER SERVICING.

## O) TROUBLE SHOOTING GUIDE

**NOTE:** The millivolt board includes the following items: Regulator, generator, pilot, pilot shield, thermocouple, piezo, electrode, burner & cover assembly, orifice and orifice holder. If any of these items are defective, contact your dealer for the appropriate repair / replacement procedures to follow.

**WARNING:** DO NOT ATTEMPT TO SERVICE THIS UNIT IF YOU ARE NOT A QUALIFIED INSTALLER OR REPAIRMAN.

1. If the unit fails to ignite a qualified service person should check the unit installation.
2. It is imperative that the control compartment, burner and circulation air passageways of the unit be kept clean. This is necessary to provide adequate combustion and ventilation air.
3. All of the working parts of this unit can be removed at one time. Before removing regulator board, check for loose wires.

<u>PROBLEM</u>	<u>CAUSE</u>	<u>SOLUTION</u>
No spark when piezo button is depressed	Piezo wire connection at valve is loose or off	Push wire back into place.
	Wire from piezo to electrode is loose at electrode	Replace electrode assembly.
	Electrode moved out of position	Realign electrode with 1/8" space between it and pilot.
Pilot won't light	Gas shut off	Turn Gas On
	Gas line not bled out	Hold valve knob in long enough to bleed out line.
	Not holding regulator valve in long enough	Hold in longer
Pilot won't stay lit	Not holding pilot button in long enough	Hold button in longer to heat generator
	Thermocouple wire loose at valve connection.	Check connection on valve.
	Pilot hood misdirecting pilot flame from thermocouple.	Check pilot flame location. Flame must be burning on generator and thermocouple.
	Pilot shield not installed or not in proper position.	Install pilot shield and ensure proper position. See page 11, figure G-1.

**PROBLEM**

**Burner won't light**

**CAUSE**

**Pilot not lit**

**Regulator valve not turned on**

**Rocker switch not turned on.**

**Rocker switch wire not connected**

**Generator wires loose at regulator terminals**

**Generator wire grounded out due to pinching of wires**

**Wall switch, remote control or thermostat not connected properly or turned to wrong setting. See figures L-1 & L-2.**

**SOLUTION**

**Relight pilot**

**Turn valve to "on"**

**Press bottom of switch to the "on" position.**

**Check wiring diagram Figure O-1 and ensure that all wires are secure.**

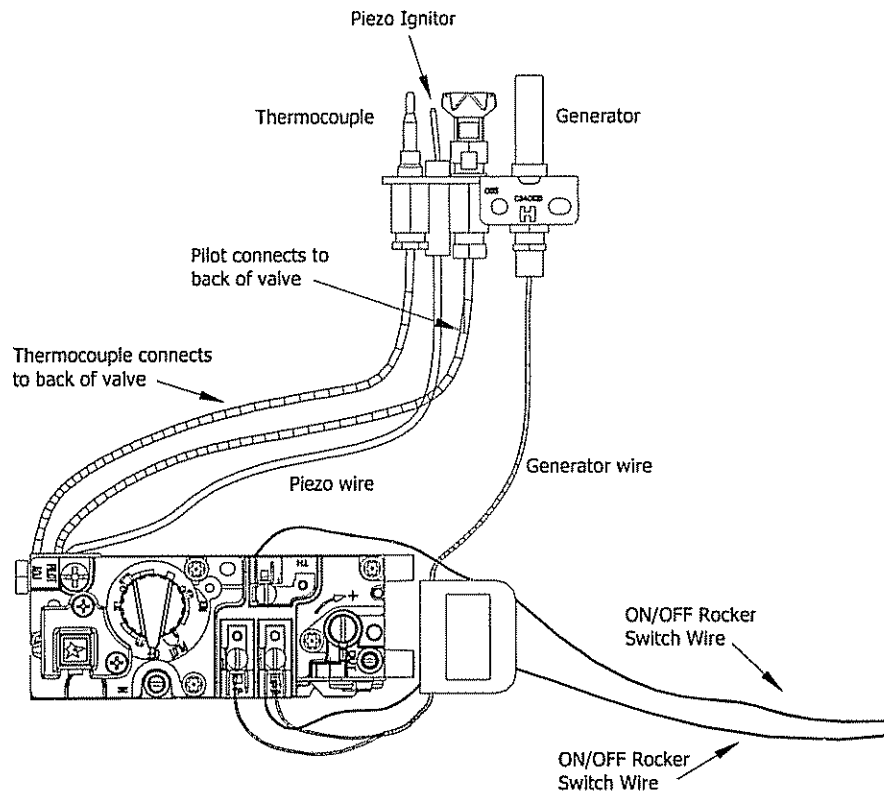
**Reposition wire and tighten screws. See figure O-1 for wiring instructions.**

**Nuts on millivolt board may need loosening to remove pinched wire.**

**Connect properly or disconnect and use on/off switch only.**

**Wiring Diagram**

**Figure O-1**



## REPLACEMENT PARTS

Replacement parts are available through your local dealer. Information on optional components, is also available through your dealer.

### MILLIVOLT BOARD AND PARTS

9XL-800	Millivolt Board - Natural Gas	700213B	18" Flexible Gas line - Black (gas line connection )
9XL-801	Millivolt Board - LP Gas	700224	3/8 Flexible Gas line (valve to burner orifice
700203	Manual Shut off Valve	700231	Natural Gas Orifice - #31
700023	On/Off Rocker Switch	700250	LP Gas Orifice - #50
700057	Honeywell Valve - Natural Gas		
700-057-1	Honeywell Valve - LP Gas	700-075	Natural Gas Conversion Cap
700-059	Thermocouple	700-076	LP Gas Conversion Cap
700060	Pilot Tube with fitting (valve to pilot)		
700-063	Pilot/Generator/Thermocouple - Nat Gas	OCK-H31	Natural Gas Conversion Kit
700-063-1	Pilot/Generator/Thermocouple - LP Gas	OCK-H50	LP Gas Conversion
700-083	Piezo Ignitor w/ wire	900-035	Burner Tube
700-092	Millivolt Generator	9XL-35	Burner cover assembly
700-203	Manual Shut-off valve	936-043	Pilot Shield

### FAN - REPLACEMENT ONLY

911-028	Fan Kit with temperature limit switch & speed control
600-085	Speed Control
404-4	Limit Switch

### LOG SET

93650E	9 PC Log Set
X1- Log	
X2- Log	
X3- Log	
X4- Log	
X6-Log	
X7-Log	
X8-Log	
X9-Log	
X10-Log	
900-REMB	Rockwool Embers
900-KLK	Klinkers

### GLASS & GLASS PARTS

70007T	17" x 30" Glass with gasket
9XL-005	Replacement Valance - only
900-006	1-1/8" Glass Gasket

### REFRACTORY

9XL-G900	Back/Side Refractory Panels - 3 pc
9XL-G900B	Back Refractory Panel
9XL-G900S	Side Refractory Panel - 1 pc

### AIR DUCT

9XL-CL1	Co-linear Air Duct
---------	--------------------

### GASKETS

700-077	Millivolt Board Gasket
761-076	Combustion Intake Duct Gasket
811-075	Exhaust Duct Gasket

### PAINT

300624	12 oz aerosol touch-up paint - Satin Black
--------	--

SPECIALTY DOORS & GRILL SETS: Contact your dealer for available styles & finishes

SHROUDS & SHROUD TRIM: Contact your dealer for available styles & finishes

U.S. Patents #5,931,154, #6,004,493, #6,029,655

Model #911 XL - US INSTALLATIONS ONLY  
November 2005

[www.kozyheat.com](http://www.kozyheat.com)

**MANUFACTURED BY:**  
Hussong Manufacturing Company, Inc.  
204 Industrial Park Drive  
Lakefield, MN 56150

**KOZY HEAT GAS BURNING FIREPLACE  
LIMITED 10 YEAR WARRANTY**

*Effective July 01, 2003*

This Limited 10 Year Warranty will not become effective until the warranty registration form has been completed and mailed to Hussong Manufacturing Co., Inc., P.O. Box 577, Lakefield, MN 56150. This registration form must be received within 30 days of installation. Failure to do so may result in delayed warranty coverage and submission of proof of purchase will be required.

Hussong Manufacturing Co., Inc. warrants to the original purchaser of this Kozy Heat Fireplace, that it is free of defects in materials and workmanship at the time of manufacture.

Subject to the following conditions & requirements, Hussong Manufacturing Co., Inc. extends the following limited warranty under normal use and service, with respect to the Kozy Heat line of gas burning fireplaces.

**YEAR 1:** Subject to the conditions & requirements listed below, within the first year from date of purchase, Hussong Manufacturing Co., Inc. shall, at its discretion, replace or repair any such defect in material or workmanship, at Hussong Manufacturing Co., Inc.'s expense, including reasonable labor costs to repair or replace the defective component, if a factory pre-authorization is given for the repair.

**YEARS 2 - 10:** Subject to the conditions & requirements listed below, beginning with the first day of the second year and continuing through the tenth year, Hussong Manufacturing Co., Inc., will at its discretion, provide repair or replacement parts at current list prices for any defect in material or workmanship of components, including optional components and accessories (if available). Hussong Manufacturing Co., Inc. shall not be responsible for any installation, labor, transportation or other indirect costs.

**LIMITATION OF LIABILITY**

To make a claim under this warranty, the purchaser must first contact the dealer/installer from whom the fireplace was purchased.

This limited warranty will be void if the fireplace is not installed by a qualified installer and according to the installation instructions. Use of unauthorized components will make this warranty null and void.

This limited warranty also is void if the fireplace is not operated, at all times, according to the operating instructions furnished.

This warranty is limited to defects in material and workmanship. It does not apply to any product that has been subject to negligence, misapplication, improper installation. Remote control warranties are covered by Ambient Technologies, Inc., and are excluded from this Limited Warranty.

No person is authorized to extend the time of this warranty or to accept on Hussong Manufacturing Co., Inc.'s behalf any additional obligation of liability connected with the unit.

It is expressly agreed and understood that this warranty is Hussong Manufacturing Co., Inc.'s sole obligation and purchaser's exclusive remedy for defective fireplace equipment. Hussong Manufacturing Co., Inc. shall not be liable for any consequential, incidental or contingent damages whatsoever. The foregoing warranty is exclusive and in lieu of all other expressed warranties. Hussong Manufacturing Co., Inc. shall not be held to implied warranties, including but not limited to the implied warranties of merchantability and fitness for a particular purpose. This warranty replaces all previous warranty policies.

Some states do not allow the exclusion or limitation of incidental or consequential damages or limitations on how long an implied warranty lasts, so the above limitations or exclusions may not apply to you. This warranty gives you specific legal rights and you may also have other rights which vary from state to state.

Hussong Manufacturing Co., Inc. reserves the right to make changes at any time, without notice, in design, material, specifications and prices. Hussong Manufacturing Co., Inc. reserves the right to discontinue models and products.

**WARRANTY CONDITIONS & REQUIREMENTS:**

1. You are the original purchaser. This warranty is not transferable.
2. Installation of the fireplace is performed by a qualified installer.
3. Installation and operation must comply with installation and operation instructions
4. Paint and glass gaskets are covered for 30 days from date of purchase.
5. Components (including glass panels) broken, during shipping, careless handling of components, or defects resulting from improper installation, misuse of the fireplace and components are not covered under this warranty.
6. This warranty does not cover any part of the fireplace or any components which have been exposed to or submerged under water.
7. Hussong Manufacturing Co., Inc. must be notified by the dealer the fireplace was purchased from or a qualified installer or service technician of the defect.
8. Annual service of the fireplace as required in the installation manual, is performed by a qualified installer/service technician. (Copies of such service records may be required to claim a warranty.)
9. All previous warranty/service has been performed by a qualified installer or service technician. (Copies of such service records may be required to claim a warranty.)

K O Z Y  H E A T  
 Quality Fireplaces For Life

**LIFETIME WARRANTY**

**THIS LIFETIME WARRANTY COVERAGE WILL BE EXTENDED AS DESCRIBED BELOW PROVIDED ALL WARRANTY CONDITIONS AND REQUIREMENTS ARE MET AS OUTLINED IN THE 10 YEAR LIMITED WARRANTY POLICY.**

**LIFETIME WARRANTY COVERAGE**

LIFETIME WARRANTY IS EXTENDED AS FOLLOWS: Hussong Manufacturing warranties to the original purchaser that the firebox, heat exchanger, fiber logs, burner tube and glass of this Kozy Heat fireplace will not be defective in material or workmanship under normal use and service for as long as you own this product. If any of these components fail due to defects in material or workmanship under normal use and service, Hussong Manufacturing Co., Inc. will, at its sole discretion, repair or replace the defective component. This LIFETIME WARRANTY does not cover any installation, labor, transportation or other indirect costs arising from defective components.

**LIMITATION OF LIABILITY**

This Lifetime warranty will be void if the fireplace is not installed by a qualified installer and according to the installation instructions. Use of unauthorized components will make this warranty null and void. This lifetime warranty also is void if the fireplace is not operated, at all times, according to the operating instructions furnished. This warranty is limited to defects in material and workmanship of components specified. It does not apply to any product that has been subject to negligence, misapplication, improper installation.

No person is authorized to extend the time of this Lifetime warranty or to accept on Hussong Manufacturing Co., Inc.'s behalf any additional obligation of liability connected with the unit.

Hussong Manufacturing Co., Inc. may fully discharge all obligations with respect to this Lifetime warranty by refunding the wholesale price of the defective component(s).

It is expressly agreed and understood that this Lifetime warranty is Hussong Manufacturing Co., Inc.'s sole obligation and original purchaser's exclusive remedy for defective fireplace equipment. Hussong Manufacturing Co., Inc. shall not be liable for any consequential, incidental or contingent damages whatsoever other than those incurred by Hussong Manufacturing Co., Inc. to repair or replace the defective component. The foregoing warranty is exclusive and in lieu of all other expressed warranties. Hussong Manufacturing Co., Inc. shall not be held to implied warranties, including but not limited to the implied warranties of merchantability and fitness for a particular purpose. This lifetime warranty replaces all previous lifetime warranty policies.

Hussong Manufacturing Co., Inc. reserves the right to make changes at any time, without notice, in design, material, specifications and prices. Hussong Manufacturing Co., Inc. reserves the right to discontinue models and products.

JUNE 1998

(CUT ALONG DOTTED LINE)

**TO ACTIVATE THIS LIFETIME WARRANTY COVERAGE, THIS REGISTRATION CARD MUST BE COMPLETED AND MAILED WITH YOUR COMPLETED 10 YEAR LIMITED WARRANTY FORM WITHIN 30 DAYS OF INSTALLATION.**

**PURCHASER'S NAME:** \_\_\_\_\_

**INSTALLATION DATE:** \_\_\_\_\_

**ADDRESS:** \_\_\_\_\_  
 \_\_\_\_\_

**MODEL#:** \_\_\_\_\_ **SERIAL #:** \_\_\_\_\_

**TELEPHONE #** \_\_\_\_\_

**INSTALLER NAME:** \_\_\_\_\_

**ADDRESS:** \_\_\_\_\_  
 \_\_\_\_\_

**TELEPHONE #** \_\_\_\_\_