



Contemporary Series

DIRECT VENT GAS FIREPLACES
NICOLLET • DELANO



*Shown w/black concave frame/face -
H2O liquid glass*



Nicollet Series

Nicollet Options & Accessories.....	2
Nicollet Specifications	4

Delano Series

Delano Options & Accessories	6
Delano Specifications	8

NICOLLET OPTIONS & ACCESSORIES

Contemporary Frame/Face Finishes

Black



Cobalt Blue liquid glass



H2O liquid glass



White Frost liquid glass

Rust



Cobalt Blue liquid glass



H2O liquid glass



White Frost liquid glass

Titanium



Cobalt Blue liquid glass



H2O liquid glass



White Frost liquid glass

Brushed
Stainless



Cobalt Blue liquid glass



H2O liquid glass



White Frost liquid glass

The above three images shown w/optional brushed stainless firebox lining

Lighting Features



Lights and flame



Flame on, lights off



Lights on, flame off



Flame, lights & fan controlled by the full function remote



Cobalt Blue liquid glass



H2O liquid glass



White Frost liquid glass



*Shown w/rust concave frame/face -
H2O liquid glass*



*Shown w/brushed stainless convex framelface
& firebox lining - Cobalt Blue liquid glass*



*Shown w/rectangular titanium framelface -
White Frost liquid glass*

NICOLLET SPECIFICATIONS

The Nicollet comes standard with an electronic ignition pilot system. The included thermostatic remote control will adjust the flame, fan speed & back lighting - fan kit is an optional accessory.

Standard Features

- 12,500 BTU/hr input - NG & 12,500 BTU/hr input - LP
- High efficiency: NG - 66.27% LP Gas - 62.15%
- **Canada P-4 approved**
- Electronic ignition pilot system - standing pilot option as well
- High quality lifetime glass (21" X 14") quick-latch removal
- Remote control - (flame, light & fan adjustment)
- 2-receptacle assembly for wiring
- Firebox lining (black)
- Engineer-designed burner system
- Minnesota Energy Code Compliant to 50 pascals

Required for Installation*

- Rectangular, concave or convex contemporary frame/face* (black, rust, titanium or brushed stainless)
- Decorative burner media - (Cobalt Blue, H2O & White Frost)
*Door faces offered for the model 'Two Harbors' can also be used

Optional Features

- Automatic fan kit (1) -75 CFM
- Firebox lining - brushed stainless

Safety

- **Each unit factory tested!**
- Tested by PFS Corp.
Complies with ANSI-Z21.88a -2009•CSA 2.33-2009 P.4.1-09 'Vented Gas Fireplace Heaters'
- U.S. & Canadian installation approved
- Sealed combustion chamber
- Removable control board with safety pilot
- Automatic pressure relief glass system
- Bedroom & mobile home approved

Specifications

- Height: 31 1/2" • Width: 18 1/2" • Back Width: 5 1/4"
- Depth: 14 3/8" • Weight: 76 lbs.

Framing Dimensions

- Height: 32 3/8" • Width: 19 3/4" • Depth: 14 7/8"

Clearances

- From fireplace face top to framing..... 1"
 - From fireplace left & right sides & back 1/2"
 - From decorative face top (in order to remove face) 1/4"
 - Fireplace bottom to flooring..... 0"
 - Fireplace base to ceiling..... 52"
 - Fireplace side stand-offs to an adjacent sidewall..... 0"
 - Top of fireplace to 3/4" projection*..... 2 1/4"
- *Mantel must be a minimum of 7 1/2" from top of fireplace face. The maximum depth at this height is 12". See additional mantel clearance configurations in the installation manual.

Venting Systems & Requirements

This fireplace is approved for the following vent systems:

- Simpson Dura-Vent™ DV-GS Pipe - 5" x 8"
- Selkirk Metalbestos™ - 5" x 8"
- Ameri-Vent™ - 5" x 8"
- Metal Fab™ - 5" x 8"
- ICC™ - 5" x 8"
- Security™ - 5" x 8"
- RLH™ - 5" x 8"

Elbows: For each additional elbow used after the first 2 elbows, 3 ft. must be subtracted from the maximum venting allowed.
Note: (2) 45° elbows =(1) 90° elbow.

Horizontal Terminations

Minimum: 90° elbow + termination cap **Maximum:** 20 ft.
A horizontal vent heat shield, that is included with the fireplace, must be installed when using a 90° elbow directly off top of fireplace.

IMPORTANT: Kozy Heat part #800-WPT or #800-WPT2, must be used on ALL horizontal vent runs.

#800-WPT (4 1/2 - 6 1/2" wall thickness)

#800-WPT2 = 6 1/2" - 12 1/2" wall thickness

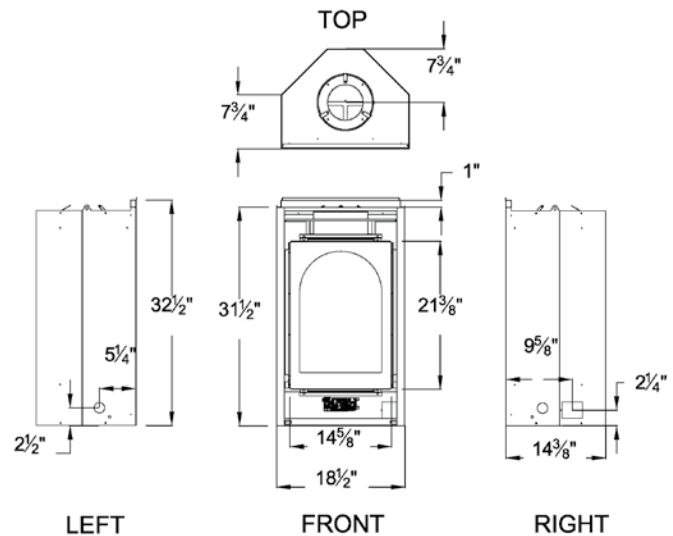
Vertical Terminations

Minimum: 3 ft. Maximum: 36 ft.

Horizontal / Vertical COMBO:

20 ft. horizontal / 20 ft. vertical*

*Please consult the venting chart in the installation manual.



*Features/Options & Specifications are subject to change



*Shown w/ black rectangular
frame/face - H2O liquid glass*

Transform any room into a design opportunity with added heat and ambiance. The *Nicollet* and *Delano* offer the option of elevated viewing in countless imaginative opportunities. A variety of color and design options make the *Nicollet* and *Delano* perfect for a classic or contemporary installation. Accent lighting can be used with the flame on or off, and the ability to adjust the flame with the standard full-function remote puts warmth and style right at your finger tips!

DELANO OPTIONS & ACCESSORIES

Contemporary Frame/Face Finishes



Rectangular - black



Rectangular - rust



Rectangular - titanium



Rectangular - brushed stainless



Convex - rust



Convex - black



Convex - brushed stainless

Contemporary frame/face designs available: rectangular or convex in black, rust, titanium & brushed stainless



Shown w/optional rock media



Shown w/optional flame accent media



Cobalt Blue liquid glass



H2O liquid glass



White Frost liquid glass

Glass Media

Lighting Features



Flame, lights & fan controlled by the full function remote



Shown w/light on, no flame



Shown w/flame on, no light

Contemporary frame/face and glass media is required for installation



*Shown w/black
convex frame/face -
H2O liquid glass*



*Shown w/rust convex frame/face -
H2O liquid glass*



*Shown w/brushed stainless rectangular
frame/face - H2O liquid glass & rock media*

DELANO SPECIFICATIONS

The Delano model (Electronic Ignition) comes standard with a decorative black curved firebox lining, remote modulating valve system w/ flame & fan adjustment. (remote control & light kit included)

Standard Features

- * 26,000 btu/hr input - NG & 25,500 btu/hr input - LP
- * High efficiency: NG - 79.8% LP - 81.18%
- * **Canada P-4 approved**
- * High quality, quick-latch, lifetime glass (23¾" X 30 1/16")
- * Black firebox lining (curved design)
- * Light kit (bottom)
- * Remote control - thermostatic (flame, light & fan adjustment)
- * High-low regulator
- * Engineer-designed burner system
- * Minnesota energy code compliant to 50 pascals

Required for Installation*

- * Glass media kit (various colors available)
 - * Contemporary frame/face (various designs & finishes available)
- Measurements - 39 ¾" w x 33 ½" h

Optional Features

- * Automatic fan kit (1) -75 CFM
- * Stainless firebox liner overlay (curved design)
- * Rock media (must be used with required glass media)
- * Flame accent media (must be used with required glass media)

Safety

- * **Each unit factory tested!**
- * Tested by OMNI-test laboratories
- * Complies with ANSI-Z21.88-2009 • CSA 2.33-2009 'Vented Gas Fireplace Heaters'
- * U.S. & Canadian installation approved
- * Sealed combustion chamber
- * Removable control board with 30-second safety pilot
- * Automatic pressure relief glass system
- * Battery back-up
- * Bedroom & mobile home approved

Specifications

- * Height: 32" * Back Width: 27 7/8"
- * Width: 35 7/8" * Depth: 15 ¼" * Weight: 150 lbs.

Framing Dimensions

- * Height: 37 ½" * Width: 36 ¾" * Depth: 15 ¾"

Clearances

- * From fireplace face top to framing 5 ½"
 - * From fireplace left & right sides & back ¼"
 - * Fireplace bottom to flooring..... 0"
 - * Fireplace top to ceiling..... 31"
 - * Fireplace side to adjacent sidewall..... 1 ½"
 - * Mantel 4" deep from top of fireplace* 16"
- *Refer to Mantel Requirement in the fireplace installation manual.

Venting Systems & Requirements

This fireplace is manufactured to accept 5" x 8" pipe only.

- * Simpson Dura-Vent™ DV-PRO Pipe - 5" x 8"
- * Selkirk Metalbestos™ Direct Chimney System - 5" x 8"
- * Ameri-Vent™ Direct Chimney System - 5" x 8"
- * Metal Fab™ 5" x 8"
- * Security™ 5" x 8"
- * ICC™ 5" x 8"
- * Kozy Heat Flexible #800 series Vent Kits* - 5" x 8"

IMPORTANT: Kozy Heat Part #800-WPT or #800-WPT2, must be used on ALL Horizontal vent runs.

The included Horizontal Vent Heat Shield must be installed when using a 90° elbow to horizontally position the vent system. This includes corner installation.

Elbows: For each additional 90° elbow used after the first elbow, 3' must be subtracted from the maximum venting allowed. For each additional 45° elbow used after the first elbow, 1½' must be subtracted from the maximum venting allowed.

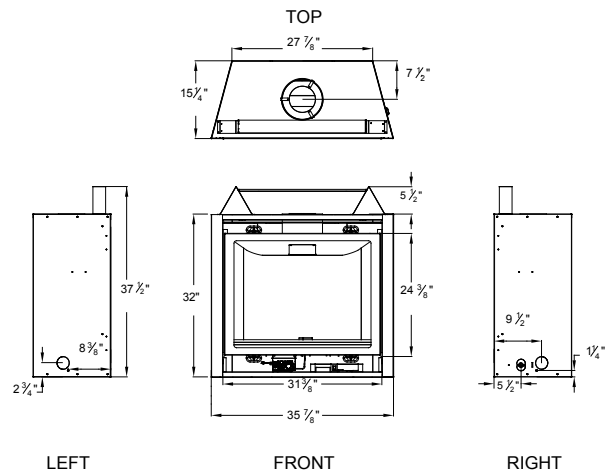
Note: (2) 45° elbows = (1) 90° elbow.

Horizontal Terminations: Minimum: 6" Maximum: 25"

*30' maximum allowed when using stainless steel pipe

Vertical Terminations: Minimum: 4' Maximum: 40'

Horizontal / Vertical COMBO: 40' = 20' maximum horizontal / 20' maximum vertical (consult the horizontal & vertical combination venting chart in the installation manual)



*Features/Options & Specifications are subject to change



For complete information and installation instructions, contact your Kozy Heat Dealer at:

Manufactured by Hussong Mfg. Co. Inc.
204 Industrial Park Drive, Lakefield, MN 56150
Phone 1-800-253-4904 www.kozyheat.com

