

**KOZY HEAT**
FIREPLACES

“Princeton”



*Shown Drake pattern
full door face*

Warmth, coziness, style and quality. . .

From our family to yours.

Designer Options & Accessories

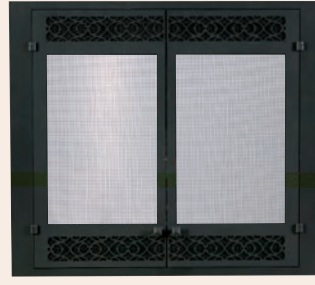
Doors/Full Door Faces



Shown standard



Renaissance pattern front



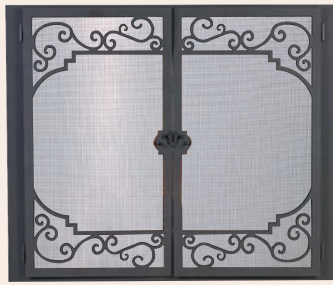
Renaissance pattern full door face



Astoria pattern full door face



Drake pattern full door face



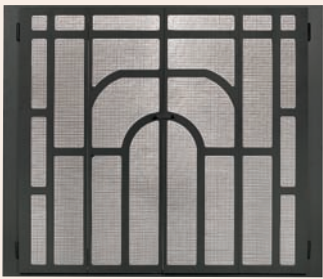
Young pattern full door face



Arched Drake pattern full door face



Arched Prairie pattern full door face



Cathedral bifold full door face



Mission bifold full door face



'True Arch' Mission full door face



Mission design doors black



Mission design doors antique copper



Mission design doors brushed nickel

The above black door finishes are lightened in this literature to show distinct details of each face

Controls



Wall mount thermostat



Wireless wall mount thermostat

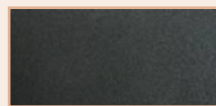


Remote control

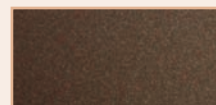


Kozy kontrol

Door Finishes

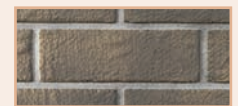


Titanium finish



Rust finish

Refractories



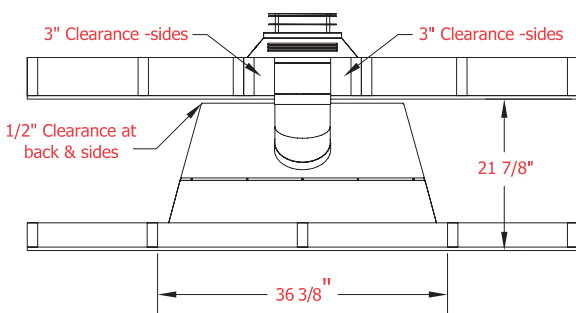
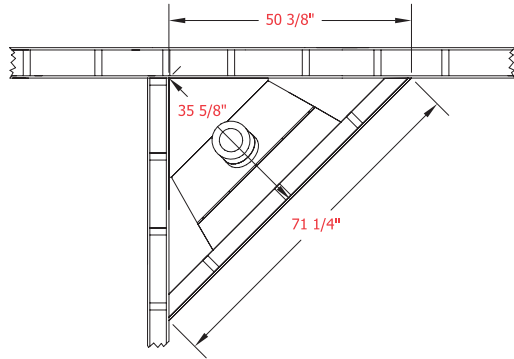
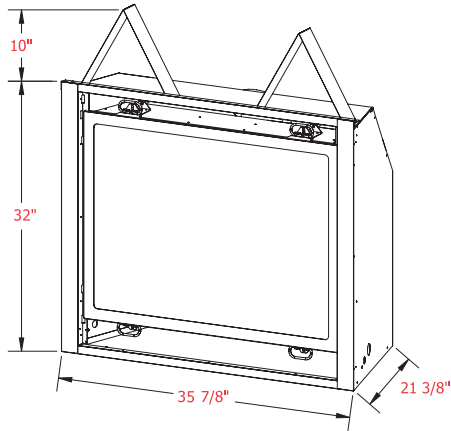
Sandstone brick refractory



Red brick refractory



Shown with 'True Arch' Mission full door face in a Craftsman wall cabinet with 6" hearth extension



Zone Heat

Install a Kozy Heat furnace rated, high efficient fireplace and save money - lower your fuel bill when you turn your furnace down and heat only the room(s) where you'll be spending time in.

Standard Features

- 35,000 BTU/hr input-NG & 34,800 BTU/hr input - LP
- High efficiency: NG - 80% LP Gas - 81% (steady state efficiency at high burn, In-House testing)
- Canadian P-4 approved
- High quality lifetime warranty glass (23 3/4" x 30 1/16")
- Quick-latch glass/Pressure release system
- Accepts rigid DV vent systems or Kozy Heat #800 series flexible termination kits
- Engineer-designed burner system w/external adjustable venturi
- Model PRC-36-RF only - modulating valve system w/fan and flame adjustment, remote control included (Kozy kontrol)
- Patented log design
- Refractory brick lining
- Heat damper control
- Upper grill/hood & lower grill (black)
- Minnesota Energy Code compliant to 50 pascals

Optional Features

- Drake, Young, Astoria, Arched Drake, Arched Prairie, True Arch design, Cathedral bifold and Mission bifold full door faces (available in black, rust or titanium finish)
- Renaissance pattern front
- Renaissance pattern full doors
- Mission design doors also available in antique copper and brushed nickel
- Model PRC-36 only: automatic fan kit w/variable speed control (2-75 CFM)
- Model PRC-36 only: remote control or thermostatic remote control
- Wall mount thermostat / wireless wall mount - Model PRC-36 only
- Red brick refractory
- Wall, corner cabinets and flush surrounds - refer to the cabinetry brochure

Safety

- Each unit factory tested!
- Tested by OMNI-Test Laboratories
Complies with ANSI Z21.88B•CSA 2.33-2003 'Vented Gas Fireplace Heaters'
- Sealed combustion chamber with standing pilot ignition
- Removable millivolt board with 30-second safety pilot
- Requires NO ELECTRICITY to operate - excluding fan
- Automatic pressure relief glass system
- Bedroom and mobile home approved

Specifications

- Height - 32"
- Width - 35 7/8"
- Back Width - 24 5/8"
- Depth - 21 3/8"
- Weight - 160 lbs.

Framing Dimensions

- Height - 42"
- Width - 36 3/8"
- Depth - 21 7/8" horizontal terminations
23 7/8" vertical terminations

Clearances

- Top of unit face to framing - 10"
- From unit left & right sides & back - 1/2"
- Surround sides (flush) - 1/4"
- To flooring - 0"
- Unit top to ceiling - 31"
- From the unit's side to adjacent sidewall - 10"
- Fireplace front - 36"
- Mantel 10" deep from top of unit - 15"

*Please refer to mantel projection chart in the installation manual

For complete information and installation instructions, contact your Kozy Heat Dealer at:



Manufactured by Hussong Mfg. Co. Inc.
204 Industrial Park Drive, Lakefield, MN 56150
Phone 1-800-253-4904 www.kozyheat.com

In order to continually provide the highest quality product available, specifications and dimensions are subject to change. Refer to the unit installation manual for complete installation instructions. Installation must conform with local building codes.