

**KOZY HEAT**
FIREPLACES

Trimont
See-Thru Gas Fireplace



Shown standard design pier end

Warmth, coziness, style and quality. . .

From our family to yours.

Designer Options & Accessories

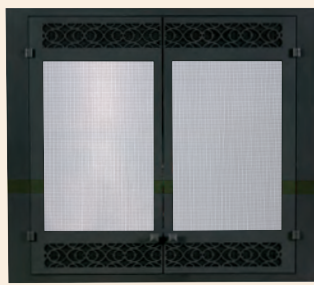
Doors/Full Door Faces



Shown standard



Renaissance pattern front



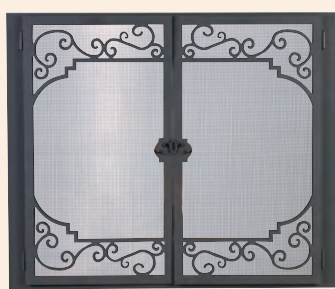
Renaissance pattern full door face



Astoria pattern full door face



Drake pattern full door face



Young pattern full door face



Arched Drake pattern full door face



Arched Prairie pattern full door face



Cathedral bifold full door face



Mission bifold full door face



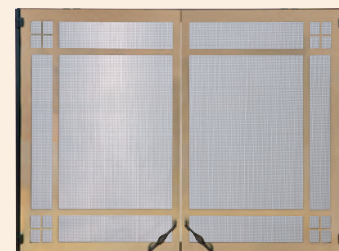
'True Arch' Mission full door face



Mission design doors black



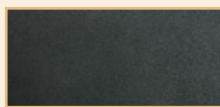
Mission design doors antique copper



Mission design doors brushed nickel

The above black door finishes are lightened in this literature to show distinct details of each face

Door Finishes



Titanium finish



Rust finish

Refractories



Sandstone brick refractory



Red brick refractory



Mission design doors and pier end



Shown w/Cathedral bifold full door face

Trimont See-Thru Direct Vent

Quality Fireplaces for Life

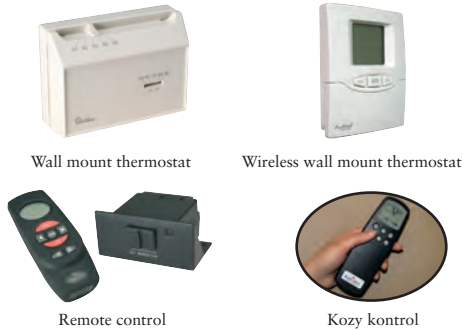
(This model can be converted to a 3-sided pier with installation of an optional pier conversion kit)

Standard Features:

- 47,000 BTU/hr input - NG & 46,000 BTU/hr input - LP
- High efficiency: NG - 72% LP - 77%
- Canada P-4 Approved
- Remote modulating valve system with flame & fan adjustment: fan kit & remote control included - Kozy kontrol (#TMT-3875-RF only)
- High quality, quick-latch, lifetime borofloat® glass (2) 34 3/4" x 26"
- Refractory brick lining (ends & bottom)
- High-low regulator (#TMT-3875 only)
- Speed control with receptacle assembly (#TMT-3875 only)
- Patented log design
- Seasonal heat damper
- Minnesota energy code compliant to 50 pascals

Optional Features:

- Renaissance pattern front (does not contain doors)*
- Drake, Young, Astoria, Arched Drake, Arched Prairie, True Arch design, Cathedral bifold and Mission bifold full door faces
*For use on see-thru applications only
- Mission design doors (also available in antique copper & brushed nickel)
Fronts, Door Faces & Doors are available in Black, Rust or Titanium finish
- Pier conversion kits - (standard & Mission design)
- Automatic fan kit (1) 75 CFM (#TMT-3875 Only - standard on RF models)
- Red brick refractory
- Remote control or thermostat remote control (#TMT-3875 Only)
- Wall thermostat/wireless wall mount thermostat (#TMT-3875 only)



Clearances:

- From face top11 1/2"
 - From vented/non-vented ends1 3/4"
 - Side of fireplace to adjacent side wall1 3/4"
 - Full door face sides (decorative option)1/4"
 - To flooring0"
 - Unit floor to ceiling68"
 - Mantel 12" deep from top of unit*12"
- *Please refer to **Mantel Requirements** in the installation manual

Specifications:

- Height - 34 1/2" • Depth - 24"
- Width - 38 3/4" • Weight - 220 lbs.

Framing Dimensions:

- See-Thru: Pier:
- Height - 46" • Height - 46"
 - Width - 42 1/4" • Width - 40 1/2"
- Finished* Wall depth - 24"

Venting Requirements:

Rigid 5" x 8" Dura-Vent®, AmeriVent®, Selkirk Metalbestos®, Metal-Fab and the Kozy Heat #800 series flexible vent systems are approved for this fireplace

IMPORTANT: Kozy Heat part #800-WPT, must be used on All horizontal vent runs

Horizontal Terminations:

- Minimum: NG - 90° elbow + 6"+ termination cap
LP - 6" + 90° elbow + 6"+ termination cap
- Maximum: NG - 90° elbow + max. 10' run
LP - 6" + 90° elbow + max. 10' run

Vertical Terminations:

- Minimum: 4' = AmeriVent®, Selkirk Metalbestos® and Metal-Fab
- Minimum: 8' = Dura-Vent® • Maximum: 35'

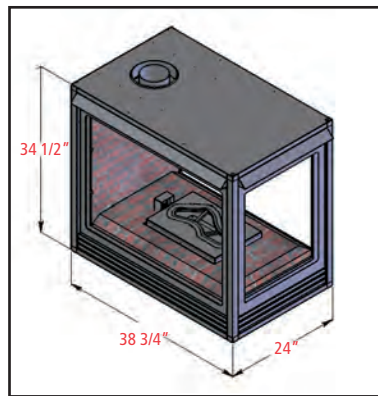
Note: A restrictor is required for all vertical venting applications

Horizontal & vertical combo: 30' = 10' max. horizontal 20' max. vertical

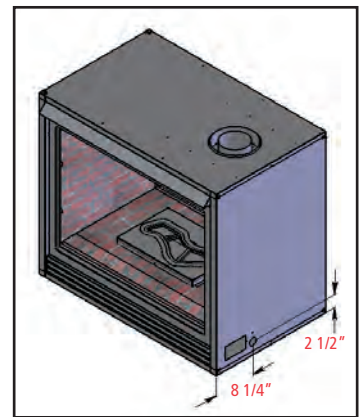
Safety:

- EACH UNIT FACTORY TESTED!
- Tested by OMNI-Test Laboratories complies with ANSI Z21.88A-2007•CSA 2.33A-2007 'Vented Gas Fireplace Heaters'
- U.S. & Canadian Installation Approved
- Sealed combustion chamber with standing pilot ignition
- Removable millivolt board with 30-second safety pilot
- Requires NO ELECTRICITY to operate – excluding fan
- Automatic pressure relief glass system
- Bedroom & mobile home approved

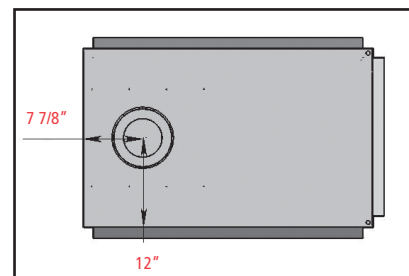
NOTE: Refer to the Trimont installation manual for complete installation & venting requirements.



Pier model



See-Thru



Manufactured by Hussong Mfg. Co. Inc.
204 Industrial Park Drive, Lakefield, MN 56150
Phone 1-800-253-4904 www.kozyheat.com



In order to continually provide the highest quality product available, specifications and dimensions are subject to change. Refer to the unit installation manual for complete installation instructions. Installation must conform with local building codes.

For complete information and installation instructions, contact your Kozy Heat Dealer at: