



## ZERO CLEARANCE DIRECT VENT GAS FIREPLACE



## SKYLINE



EVOLUTIONARY STYLE. REVOLUTIONARY FLEXIBILITY.

Unit illustrated is a MQRB4236N Zero Clearance Direct Vent Fireplace - Natural Gas, Z42CVCK Designer Clean View Circulating Kit, MQHB42SWCVPW Convex Pewter Wall Surround, MQRB42PL Porcelain Reflective Panels, and MQRB42PB Porcelain Reflective Bottom.



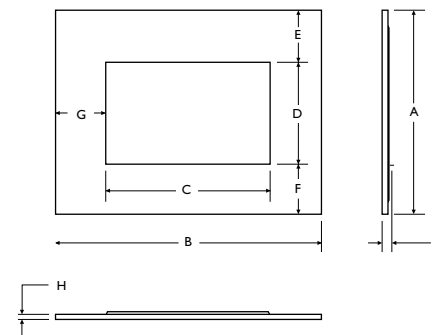
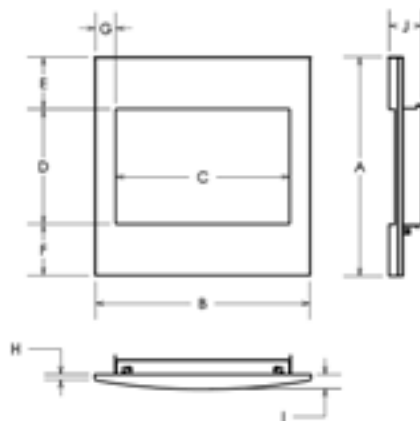
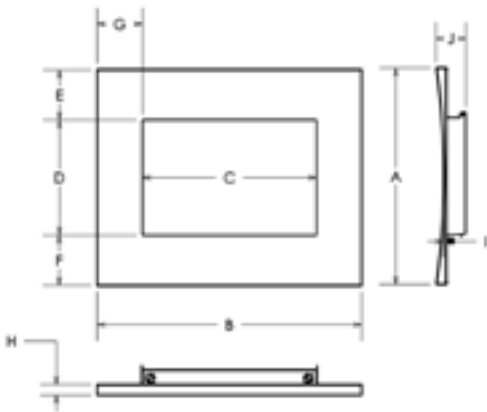
Create a unique look for your fireplace with an incredible selection of custom options and quality styling.



CONCAVE

CONVEX

FLATT



SKYLINE

EVOLUTIONARY STYLE. REVOLUTIONARY FLEXIBILITY.

Unit illustrated is a MQRB3328N Zero Clearance Direct Vent Fireplace - Natural Gas, Z33CVCK Designer Clean View Circulating Kit, MQ33SWFBL Flatt Black Wall Surround, MQRB33PL Porcelain Reflective Panels, and decorated with optional Silica Sand on the base.

Model	MQRB3328N	MQRB3328LP	MQRB4236N	MQRB4236LP	MQRB3632N	MQRB3632LP	MQRB3328NT	MQRB3328LPT	MQRB4236NT	MQRB4236LPT
Fuel	Natural	Propane	Natural	Propane	Natural	Propane	Natural	Propane	Natural Gas	Propane
Input Max.	25,000 BTU	25,000 BTU	30,500 BTU	30,000 BTU	30,000 BTU	30,000 BTU	21,000	22,500	24,000	24,000
Input Min.	17,000 BTU	20,000 BTU	20,500 BTU	23,000 BTU	22,500 BTU	23,500 BTU	15,000	17,500	18,000	19,000
Output Max.	17,750 BTU	18,500 BTU	22,875 BTU	21,750 BTU	-	-	-	-	-	-
Efficiency	71%	74%	75%	75%	-	-	-	-	-	-
FE (P4.I-02)	56%	56%	56.8%	56.8%	57.7%	54.7%	40%	40%	44.7%	47.9%

## STANDARD FEATURES

- > Hi/low Millivolt valve with variable adjustment of flame and BTU.
- > A flame sensor that constantly monitors the pilot flame and provides 100% gas shut off if pilot is not sensed.

## OPTIONAL FEATURES

Designer Clean View Circulating Kit – No Louvers Required,

Fan Kit – Heat activated with variable speed control

Thermostat – Wall Mount Millivolt Thermostat or Programmable Thermostat

Remote Control – On/Off, Thermostat On/Off, Hi/Lo On/Off

Child Safety Screen

Wall Surrounds – Convex, Concave and Flatt with Black or Pewter finishes

Wall Surrounds Accents – Flatt

- > Keystone – Brushed Chrome or Black
- > Designer Band Accents – 4 x Black (sml), 2 x Chrome (lrg)
- > Designer Corner Accents – 4 x Black

Porcelain Reflective Liners

Driftwood and Rock Kit



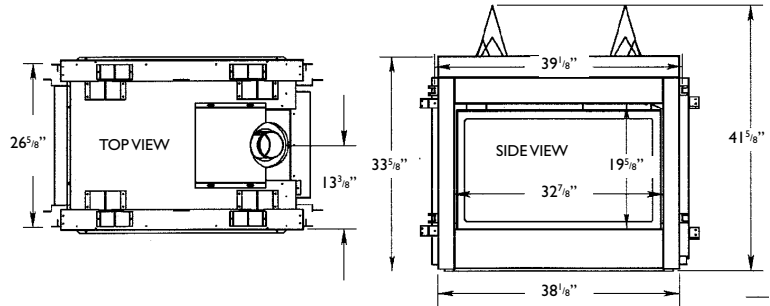
Concave	A	B	C	D	E	F	G	H	I	J	L
MQRB42	42 <sup>11</sup> / <sub>16</sub> "	55 <sup>3</sup> / <sub>8</sub> "	36 <sup>3</sup> / <sub>8</sub> "	23 <sup>11</sup> / <sub>16</sub> "	9 <sup>1</sup> / <sub>2</sub> "	9 <sup>1</sup> / <sub>2</sub> "	9 <sup>1</sup> / <sub>2</sub> "	2"	1 <sup>1</sup> / <sub>2</sub> "	5 <sup>1</sup> / <sub>2</sub> "	36 <sup>3</sup> / <sub>8</sub> "

Convex	A	B	C	D	E	F	G	H	I	J	L
MQRB42	42 <sup>7</sup> / <sub>8</sub> "	44 <sup>1</sup> / <sub>3</sub> "	36 <sup>3</sup> / <sub>8</sub> "	23 <sup>3</sup> / <sub>4</sub> "	9 <sup>1</sup> / <sub>2</sub> "	9 <sup>1</sup> / <sub>2</sub> "	4"	1 <sup>3</sup> / <sub>16</sub> "	3 <sup>1</sup> / <sub>8</sub> "	6 <sup>3</sup> / <sub>8</sub> "	36 <sup>3</sup> / <sub>8</sub> "

Flatt	A	B	C	D	E	F	G	H	I
MQRB33	35 <sup>5</sup> / <sub>16</sub> "	45 <sup>13</sup> / <sub>16</sub> "	28 <sup>3</sup> / <sub>8</sub> "	17 <sup>13</sup> / <sub>16</sub> "	8 <sup>3</sup> / <sub>4</sub> "	8 <sup>3</sup> / <sub>4</sub> "	8 <sup>3</sup> / <sub>4</sub> "	1"	1 <sup>3</sup> / <sub>16</sub> "
MQRB36	37 <sup>5</sup> / <sub>32</sub> "	50 <sup>5</sup> / <sub>16</sub> "	32 <sup>15</sup> / <sub>16</sub> "	19 <sup>5</sup> / <sub>8</sub> "	8 <sup>3</sup> / <sub>4</sub> "	8 <sup>3</sup> / <sub>4</sub> "	8 <sup>3</sup> / <sub>4</sub> "	1"	1 <sup>3</sup> / <sub>16</sub> "

## DESIGNER CLEAN VIEW SEE-THROUGH UNIT (MQRB3632)

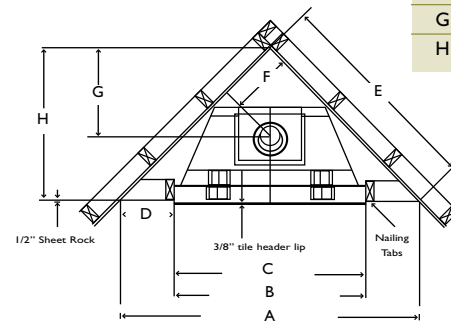
Consult Manual for Framing Instructions



## DESIGNER CLEAN VIEW CIRCULATING KIT (CVCK)

Corner Framing Dimensions (inches)

	MQRB3328	MQRB4236
A	63 <sup>1</sup> / <sub>8</sub> "	63 <sup>13</sup> / <sub>16</sub> "
B	33 <sup>7</sup> / <sub>8</sub> "	42 <sup>7</sup> / <sub>16</sub> "
C	33 <sup>9</sup> / <sub>16</sub> "	42 <sup>1</sup> / <sub>16</sub> "
D	14 <sup>5</sup> / <sub>8</sub> "	10 <sup>11</sup> / <sub>16</sub> "
E	44 <sup>5</sup> / <sub>8</sub> "	45 <sup>1</sup> / <sub>8</sub> "
F	13 <sup>7</sup> / <sub>8</sub> "	13 <sup>3</sup> / <sub>4</sub> "
G	19 <sup>5</sup> / <sub>8</sub> "	19 <sup>1</sup> / <sub>2</sub> "
H	31 <sup>9</sup> / <sub>16</sub> "	31 <sup>7</sup> / <sub>8</sub> "



Top Flue Model	Width	Height
<b>VIEWING AREA</b>		
MQRB3328	25 <sup>1</sup> / <sub>2</sub> "	14 <sup>5</sup> / <sub>16</sub> "
MQRB3632	29 <sup>3</sup> / <sub>4</sub> "	16 <sup>1</sup> / <sub>8</sub> "
MQRB4236	33 <sup>3</sup> / <sub>8</sub> "	20 <sup>3</sup> / <sub>8</sub> "

Top Flue Model	Height		Front Width		Depth	
	Actual	Framing	Actual	Framing	Actual	Framing
<b>CLEAN VIEW CIRCULATING KIT (CVCK)</b>						
MQRB3328	33 <sup>3</sup> / <sub>8</sub> "	33 <sup>3</sup> / <sub>8</sub> "	33 <sup>5</sup> / <sub>16</sub> "	33 <sup>7</sup> / <sub>8</sub> "	16 <sup>7</sup> / <sub>16</sub> "	16 <sup>9</sup> / <sub>16</sub> "
MQRB4236	36 <sup>13</sup> / <sub>16</sub> "	43"	42 <sup>1</sup> / <sub>16</sub> "	42 <sup>7</sup> / <sub>16</sub> "	18 <sup>15</sup> / <sub>16</sub> "	19 <sup>1</sup> / <sub>2</sub> "

Kingsman Fireplaces maintains a program of continuous testing, refinement and improvements of all its products. Some aspects of units shown here may be changed at any time without notice or obligation.



2340 Logan Avenue  
Winnipeg, Manitoba, Canada R2R 2V3  
Phone: 204.632.1962 Fax: 204.632.1960  
[www.marquisfireplaces.net](http://www.marquisfireplaces.net)





ZERO CLEARANCE DIRECT VENT SEE THROUGH GAS FIREPLACE



# SKYLINE

 marquis  
COLLECTION by Kingsman

EVOLUTIONARY STYLE. REVOLUTIONARY FLEXIBILITY.

Unit illustrated is a MQRB3632N Zero Clearance Direct Vent See Through Fireplace - Natural Gas, Z36CVCK Designer Clean View Circulating Kit (x2), MQ36SWFBL Flatt Black Wall Surround (x2), and decorated with optional MQRBDI Contemporary Rock and Driftwood on a Silica Sand base.