



FIRE PITS & FIREPLACES



San Juan fireplace and fire pit add warmth to your outdoor room.

Gather round the glowing fire.

Light up the night and add warmth to your outdoor space with one of our beautiful fire pits or fireplaces. Made specifically for the great outdoors; these warm and glowing fires will become the place to gather with family and friends for years to come.



OutdoorRooms.com



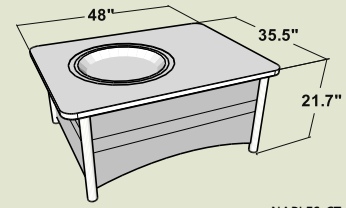
fire pits with crystal fire



Naples Coffee Table

A beautiful wicker table and fire pit all-in-one

- Outdoor-rated resin wicker to match our furniture collections
- Aluminum frame built to last and won't rust
- Access door conceals standard 20 lb. propane tank
- Includes black glass cover for Crystal Fire
- Order with Crystal Fire burner or optional Center Bowl



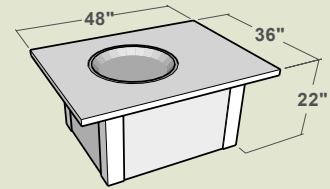
NAPLES-CT-K



Sierra Coffee Table

This combination of stone and fire is timeless

- Outdoor-rated faux stone sides & durable Travertine Supercast Top
- Access door conceals standard 20 lb. propane tank
- Order with Crystal Fire burner or optional Center Bowl
- Available unfinished to apply your own custom finish



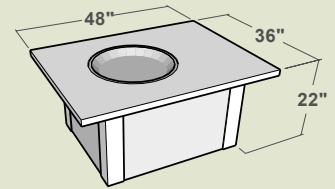
SIERRA-CF-K



San Juan Coffee Table

A unique clean table design with built-in fire pit

- Outdoor-rated Stucco sides and durable Travertine Supercast Top
- Finished in beautiful Ameristone™ Stucco
- Access door conceals standard 20 lb. propane tank
- Order with Crystal Fire burner or optional Center Bowl
- Available unfinished to apply your own custom finish



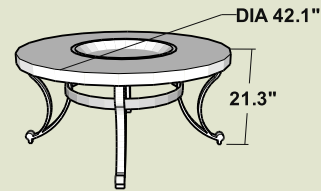
SANJUAN-CF-M-K



Black Glass Table

The elegant, functional fire pit table

- Powder coated aluminum frame in Dora Brown Color
- Tempered 42" round black glass top
- Includes black glass cover for Crystal Fire
- Order with Crystal Fire burner or optional Center Bowl



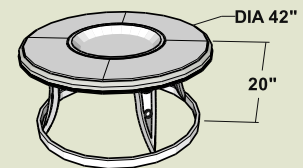
GLASS-42-K



Granite Chat Table

Fire and stone have never been so pretty

- Powder coated aluminum frame in Dora Brown
- English granite table top will last forever
- 42" round top great for entertaining
- Includes granite lazy susan style cover
- Order with Crystal Fire burner or optional Center Bowl



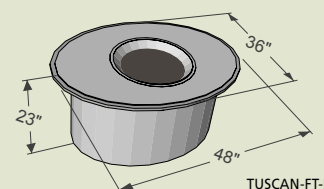
CFP42-K



Tuscany Table

Versatile, beautiful and functional

- Glass fiber reinforced concrete matches Tuscany II pergola
- Access door conceals standard 20 lb. propane tank
- Heavy duty construction and light enough to move
- Includes Crystal Fire burner and black glass cover



TUSCAN-FT-K



crystal fire burner options

Crystal Fire technology makes it beautiful

Round • Square • Rectangular

Our fire pits come with our patented *Crystal Fire Burners*. With just the push of a button, a beautiful glowing fire appears atop a bed of glass fire crystals.

The *Crystal Fire* runs for 16 full hours using an LP tank or can be hooked up to a natural gas line. Adjust the flame height to your desired setting and enjoy the magic and ambience of a warm glowing fire today.

Optional Glass Fire Crystals



These highly reflective *Liqui-Crystals – Glass Fire Crystals* light up the fire pit with an ember-like glow. Optional colors available.



Standard Round Burner

CF-20-LP



Optional Rectangular Burner

CF-1224



Optional Square Burner

CF-2424



CRYSTAL-SPIN-K

Optional Crystal Spin

The *Crystal Spin* is an add-on fire feature using *Venturi Flame Technology*. It creates a mesmerizing, swirling flame within a glass cylinder. The flame works like magic—no fan and no motors. It works with all fire pit tables.

Fire pits for small spaces

Tripod Fire Pit



CFT-POD-K

Compact fire pit that fits any space. Light enough to move but solidly constructed. Made from durable powder-coated aluminum. Includes a black cover that turns your fire pit into a side table.

Table Top Fire Pits



ALLURE-SV

Works indoors or out. *Venturi Flame Technology™* creates a beautiful flame that swirls within a glass cylinder – a simple yet spectacular fire – powered by clean-burning gel fuel. Comes in 5 models.

Sante Fe Traditional Fire Pit



SANTAFE-361

Our realistic logset fire pit will bring back memories of sitting around an open campfire in the serenity of the great outdoors. This attractive fire pit will fit in any space and runs off LP tank or natural gas line.



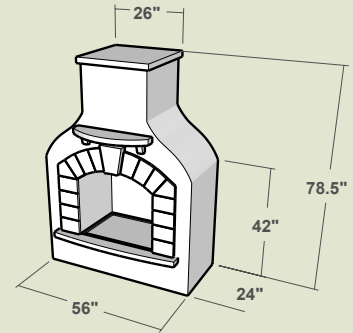
outdoor fireplaces

Sonoma Fireplace



Unique, warm and inviting

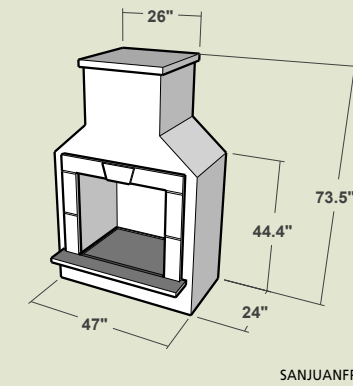
- Constructed from durable galvanized steel and Hardibacker™ cement board
- Finished in beautiful Ameristone™ stucco
- Beautiful Supercast™ top, mantel and insert provide beauty and durability
- Order LP or NG specific
- Available unfinished to apply your own custom finish
- Weighs between 400-550lbs.
- Firebox insert can be purchased separately



San Juan Fireplace

Clean lines and simple elegance

- Constructed from durable galvanized steel and Hardibacker™ cement board
- Finished in beautiful Ameristone™ stucco
- Beautiful Supercast™ top and insert provide beauty and durability
- Order LP or NG specific
- Available unfinished to apply your own custom finish
- Weighs between 400-550lbs.
- Firebox insert can be purchased separately



MAKE IT YOUR STYLE

Want a completely custom fireplace?

Fireplace inserts can be purchased separately. See fireplace insert product sheet.

With one of our UL safety-listed outdoor fireplaces, you can add value, warmth and a gathering place to your outdoor room. Order from our standard finish selections, or order unfinished to be completed in your backyard to match your home. All of our great fireplaces are available in either propane or natural gas.

The Inspiration

Gel-fueled Fireplace - works indoors & out



This versatile, wall-mounted, easy-to-use fireplace can be installed anywhere you want – indoors or out. In just a matter of minutes, you will have a beautiful, dancing flame and a warm, cozy fire to enjoy. Runs on a can of clean-burning gel fuel.



fire pit accessories



2015 Silver Bell Road • Suite 195 • Eagan, MN 55122
Toll Free: 1-866-303-4028 • Sales@OutdoorRooms.com

OutdoorRooms.com