

WOODBURNING

taste is everything





1903 - Oval with Reservoir

HEARTLAND WOODBURNING COOKSTOVES

You may feel yourself being naturally drawn to Heartland's woodburning cookstoves. After all, the original Oval has been heating homes, warming water and cooking meals for almost a century. We are proud to report that today's models offer the same dependability, comfort and tremendous versatility. Heartland has incorporated some important changes to make your life a whole lot easier than your ancestor's. Available in a choice of two models: the Oval or the Sweetheart.



Holds its Own Power

With a Heartland Woodburning Cookstove, you can keep your home glowing through ice and snow and power failures. The Oval is capable of heating up to 1800 square feet and the Sweetheart, up to 1500 square feet.

No matter what is happening outside, you can still enjoy everything from a steamy bath to a hot cup of cocoa to a snug night's sleep. (With optional water jacket.)

Keeps You in Hot Water

Choose an optional copper reservoir with a tap or install a hot water jacket. The installed water jacket can boil a 40-gallon water tank in an hour with the stove running at full operation. Many owners choose to run this system on a thermosyphon, eliminating the need for electricity. Wood heat can be very dry but the water reservoir provides ample humidity. Use it to do all the dishes.

Note: Refer to water jacket manual and have it installed by a professional.

Unforgettable Flavor

Find out firsthand why your grandmother always said that nothing matched a pie baked in the cookstove. The oven is heated from all sides, cooking the food evenly and to perfection every time. Thaw your frozen food, warm your plates or watch your dough rise in the warming closet.

Lighten Your Workload

You're intrigued with the idea of owning a Heartland Woodburning Cookstove but feeling like it might be too labor intensive to maintain. Think again. Fuel can be top or front loading, the oven interior is porcelain coated with an ash pan that slides out for cleaning. This is the good old days only better.



2603 - Sweetheart with Reservoir

Woodburning Features

Oval Woodburning Cookstove

Model 1902 (Model 1903 with Reservoir)

- Warms up to 1,800 square feet
- Solid cast iron cooking surface
- 2.4 cubic foot oven – largest available on any woodburning cookstove
- Upper warming cabinet
- Top or front fuel loading
- Large firebox for improved efficiency (less chopping and stoking)
- Ash pan on sliding track
- Options for hot water needs: 5 gallon copper reservoir with spigot or hot water jacket
- Optional Coal Grate Kit
- Optional Fresh Air Kit
- Optional Heat Shield for reduced installation clearances. Check installation manual for clearance specifications.

Sweetheart Woodburning Cookstove

Model 2602 (Model 2603 with Reservoir)

- Warms up to 1,500 square feet
- Solid cast iron cooking surface
- 1.7 cubic foot oven
- Upper warming cabinet
- Top or front fuel loading
- Large firebox for improved efficiency (less chopping and stoking)
- Ash pan on sliding track
- Options for hot water needs: 5 gallon copper reservoir with spigot or hot water jacket
- Optional Coal Grate Kit
- Optional Fresh Air Kit
- Optional Heat Shield for reduced installation clearances. Check installation manual for clearance specifications.





Important Note: Photo illustrates cooker installed against a non-combustible wall. Observe clearance requirements as outlined in our installation guide.

HEARTLAND Artisan

The Artisan woodburning cookstove is unlike any other woodstove. The Artisan's gentle, radiant heat is transferred through the internal cast iron structure, spreading the heat evenly to the ovens and hotplates. By bathing food in heat from all directions, flavors are sealed in without drying. You'll serve more succulent roasts, juicy on the inside and perfectly brown on the outside. Your vegetables will be more flavorful, retaining both texture and natural color. The engineering that has gone into the Artisan will offer some of the lowest clearances available from any wood cookstove while still producing the natural opulent heat that only wood cooking can provide.



Artisan Features

Model HL-ARTISAN

- The very large firebox of the Artisan provides longer burn times and can accommodate wood up to 16" in length.
- Two insulated lids help retain heat on the hotplate when closed . When open heat radiates into the room.
- The hotplate is made of solid one-piece cast iron. Going from a simmer to a boil is as easy as sliding the cookware.
- Features a temperature gauge on the main over door which provides approximate heat levels within the oven.
- The main oven, approx. 1.5 cu.ft. is ideal for all types of cooking. Gentle indirect heat radiates in from all sides.
- A second oven below provides a second cooking area and operates at around half the temperature of the main oven.

- The solid, cast iron construction and design of the Artisan allow for some of the of the lowest clearances ever as low as 3"*.
- The Heartland Artisan is covered under warranty for a full 1 year on the entire product.

*3" may not apply in every case. See site preparation guide for details.



OVAL & SWEETHEART COLORS



Almond



Black



Blue



Green

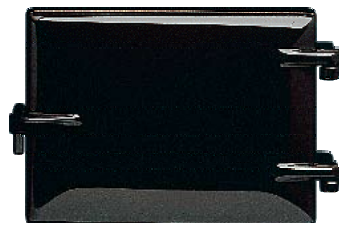


White



Williamsburg Motif
(on splashback)

ARTISAN COLORS



Black



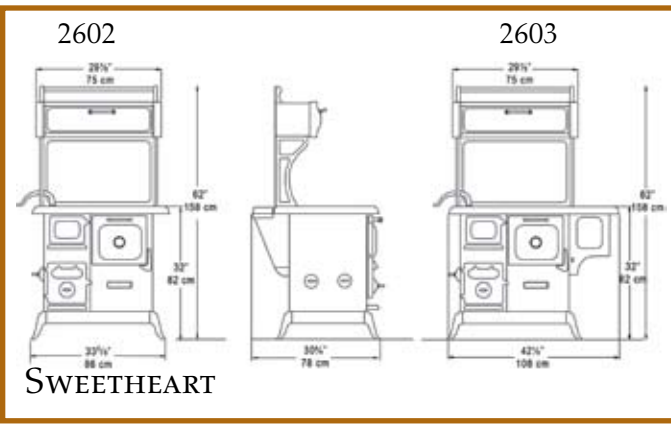
Cream

Due to limitations in the printing process, colors will vary from those shown.



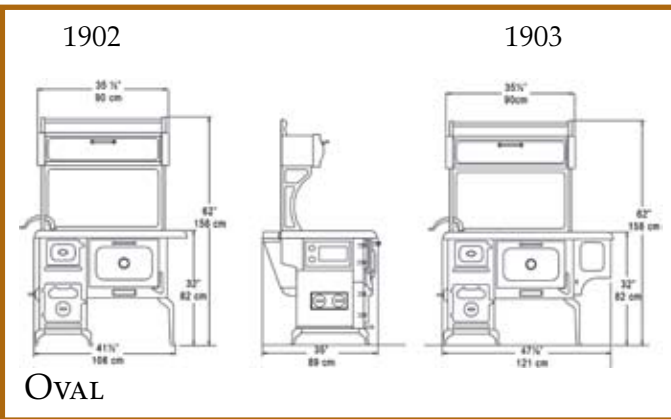
SPECIFICATIONS

All woodburning models are: tested to UL 1482 CSA B366-2M and ULC S-627 by Warnock Hersey.



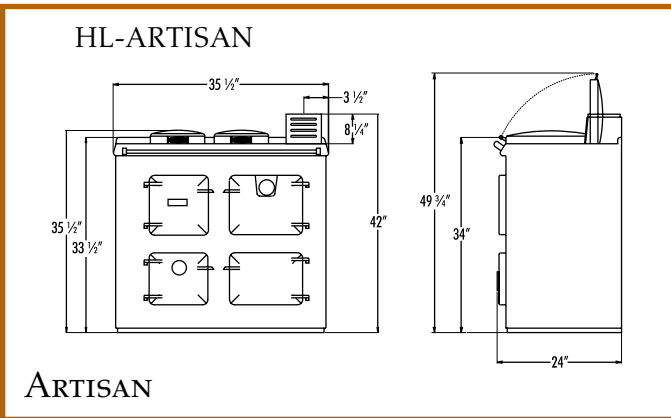
	2602 - no reservoir	2603 - reservoir
Weight:	400lbs	440lbs

- Flue size: 6" Cooking surface dimensions: 29 1/2" x 21" Oven size: 1.7 cu. ft.
- Heating capacity: 35,000 btu/hr heat output - 800 to 1500 sq.ft. Ideal wood length: 16"
- Available with or without 5 gallon copper water reservoir with spigot, which provides hot water for dishes, humidifying, canning, etc.
- The coal grate package must be ordered for coal burning.
- Summer grate stand. (Optional - part #4271)
- A fresh air kit may be ordered for intake of outside combustion air.
- A water jacket may be ordered for domestic hot water heating.
- Ash pan on sliding track. Top or front fuel loading.
- Installation: Woodburning stoves require strict adherence to clearance requirements and venting considerations. Heat shield kit is available to reduce clearances.
- Consult your dealer for complete installation advice.



	1902 - no reservoir	1903 - reservoir
Weight:	550lbs	600lbs

- Flue size: 6"
- Cooking surface dimensions: 35 1/4" x 25 3/4"
- Oven size: 2.4 cu. ft. Heating capacity: 50,000 btu/hr heat output - 1200 to 1800 sq.ft. Ideal wood length: 16"
- Available with or without 5 gallon copper water reservoir with spigot, which provides hot water for dishes, humidifying, canning, etc.
- The coal grate package must be ordered for coal burning.
- Summer grate position, adjustable for summer heating and cooking
- A fresh air kit may be ordered for intake of outside combustion air.
- A water jacket may be ordered for domestic hot water heating.
- Ash pan on sliding track. Top or front fuel loading. Installation: Woodburning stoves require strict adherence to clearance requirements and venting considerations. Heat shield kit is available to reduce clearances. Consult your dealer for complete installation advice.



	HL-ARTISAN
Width:	35 1/2"
Height:	35 1/2"
Depth:	24"
Weight:	855 lbs.
Flue Size:	6" (15.2 cm)

Artisan Features

- Heating capacity 45,000 BTU - 1,200 to 1,700 sq.ft.
- Ideal wood length is 16"
- Temperature indicator on main oven
- Main oven dimensions: 14"W x 15 7/8" D x 12"H.
- Lower oven dimensions: 14"W x 15 7/8" D x 8"H.

Limited 1 year warranty. Warranties apply to product only in the country in which it was purchased. Product is not intended for commercial installations. Warranty is void in any commercial-type application. Changes to the product may have occurred from the time this brochure was printed. Dimensions are for reference only. Please obtain a current installation manual for your purchased model before beginning installation or rough-ins. Local authorities govern installation codes. The thermometer on the Oval and Sweetheart is decorative only.





HEARTLAND[®]
APPLIANCES



You have the vision; we have the appliances.
Visit www.heartlandapp.com to view our
entire product line of ranges, woodburning
stoves, refrigerators, built-in wall ovens and
dishwashers. Transfuse your kitchen with all that
is Heartland.

Heartland Appliances
1050 Fountain Street North
Cambridge, Ontario, Canada N3H 4R7
Phone (519) 650-5775 Fax (800) 327-5609
Toll Free Phone: 1-877-650-5775
www.heartlandapp.com