

 marquis  
COLLECTION | by Kingsman



S K Y L I N E

ZERO CLEARANCE DIRECT VENT GAS FIREPLACE

Unit Illustrated is a MQRB3328N Zero Clearance Direct Vent Natural Gas Fireplace, Z33CVCK Designer Clean View Circulating Kit, MQRB33PL Porcelain Reflective Panels, and MQRBD1 Contemporary Rock and Driftwood Set. Sienna Surround provided by Palazzetti.

## WALL SURROUND

CONCAVE, CONVEX & FLATT

BLACK

PEWTER

## STYLING



ROCK COLLECTION



DRIFT WOOD



DECORATIVE STONE



DECORATIVE EMBER GLASS



## Enjoy the **VIEW**

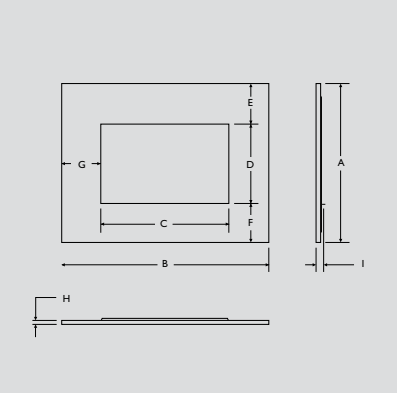
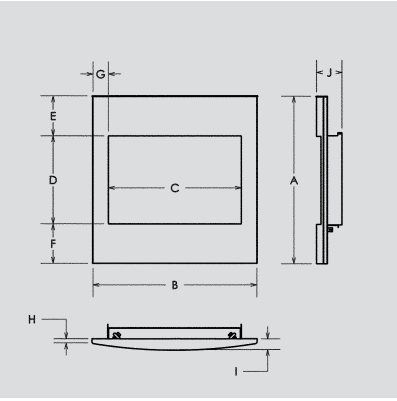
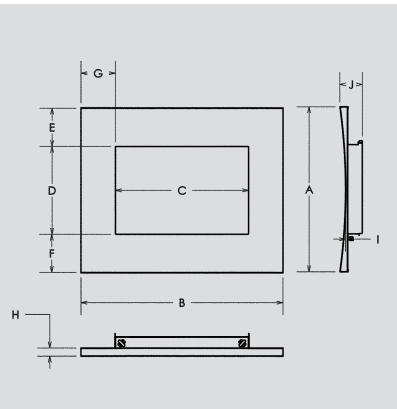
There is nothing subtle about this Skyline. It's pure sophistication that makes a statement with wide-view appeal and flexibility. Choose from the rocks and driftwood, decorative stones, or ember glass in a choice of colors for a sleek contemporary look.

CONCAVE

CONVEX

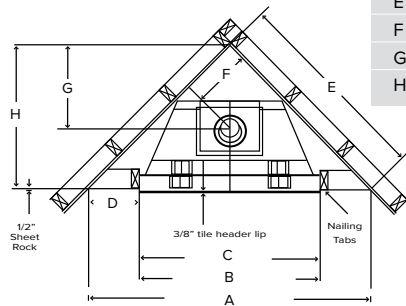
FLATT

Model	MQRB3328N	MQRB3328LP	MQRB4236N	MQRB4236LPT	MQRB4236NT
Fuel	Natural	Propane	Natural	Propane	Natural
Input Max.	25,000 BTU	25,000 BTU	30,500 BTU	24,000	24,000
Input Min.	17,000 BTU	20,000 BTU	20,500 BTU	19,000	18,000
Output Max.	17,750 BTU	18,500 BTU	22,875 BTU	-	-
Efficiency	71%	74%	75%	-	-
FE (P.4.1-02)	56%	56%	56.8%	46%	44.7%



**DESIGNER CLEAN VIEW  
CIRCULATING KIT (CVCK)**

Corner Framing Dimensions (inches)



A	63 <sup>1</sup> / <sub>8</sub> "	63 <sup>13</sup> / <sub>16</sub> "
B	33 <sup>7</sup> / <sub>8</sub> "	42 <sup>7</sup> / <sub>16</sub> "
C	33 <sup>9</sup> / <sub>16</sub> "	42 <sup>1</sup> / <sub>16</sub> "
D	14 <sup>5</sup> / <sub>8</sub> "	10 <sup>11</sup> / <sub>16</sub> "
E	44 <sup>5</sup> / <sub>8</sub> "	45 <sup>1</sup> / <sub>8</sub> "
F	13 <sup>7</sup> / <sub>8</sub> "	13 <sup>3</sup> / <sub>4</sub> "
G	19 <sup>5</sup> / <sub>8</sub> "	19 <sup>1</sup> / <sub>2</sub> "
H	31 <sup>9</sup> / <sub>16</sub> "	31 <sup>7</sup> / <sub>8</sub> "

Top Flue Model	Width	Height
MQRB3328	25 <sup>1</sup> / <sub>2</sub> "	14 <sup>5</sup> / <sub>16</sub> "
MQRB4236	33 <sup>3</sup> / <sub>8</sub> "	20 <sup>3</sup> / <sub>8</sub> "

**VIEWING AREA**

Top Flue Model	Height		Front Width		Depth	
	Actual	Framing	Actual	Framing	Actual	Framing
MQRB3328	33 <sup>3</sup> / <sub>8</sub> "	38 <sup>3</sup> / <sub>8</sub> "	33 <sup>5</sup> / <sub>16</sub> "	33 <sup>7</sup> / <sub>8</sub> "	16 <sup>7</sup> / <sub>16</sub> "	16 <sup>9</sup> / <sub>16</sub> "
MQRB4236	36 <sup>13</sup> / <sub>16</sub> "	43"	42 <sup>1</sup> / <sub>16</sub> "	42 <sup>7</sup> / <sub>16</sub> "	18 <sup>15</sup> / <sub>16</sub> "	19 <sup>1</sup> / <sub>2</sub> "

**CLEAN VIEW CIRCULATING KIT (CVCK)**

Concave	A	B	C	D	E	F	G	H	I	J	L
MQRB42	42 <sup>1</sup> / <sub>16</sub> "	55 <sup>3</sup> / <sub>8</sub> "	36 <sup>3</sup> / <sub>8</sub> "	23 <sup>1</sup> / <sub>16</sub> "	9 <sup>1</sup> / <sub>2</sub> "	9 <sup>1</sup> / <sub>2</sub> "	9 <sup>1</sup> / <sub>2</sub> "	2"	1 <sup>1</sup> / <sub>2</sub> "	5 <sup>1</sup> / <sub>2</sub> "	36 <sup>3</sup> / <sub>8</sub> "
Convex	A	B	C	D	E	F	G	H	I	J	L
MQRB42	42 <sup>7</sup> / <sub>8</sub> "	44 <sup>1</sup> / <sub>3</sub> "	36 <sup>3</sup> / <sub>8</sub> "	23 <sup>3</sup> / <sub>4</sub> "	9 <sup>1</sup> / <sub>2</sub> "	9 <sup>1</sup> / <sub>2</sub> "	4"	1 <sup>3</sup> / <sub>16</sub> "	3 <sup>1</sup> / <sub>8</sub> "	6 <sup>3</sup> / <sub>8</sub> "	36 <sup>3</sup> / <sub>8</sub> "
Flatt	A	B	C	D	E	F	G	H	I		
MQRB33	35 <sup>5</sup> / <sub>16</sub> "	45 <sup>13</sup> / <sub>16</sub> "	28 <sup>3</sup> / <sub>8</sub> "	17 <sup>13</sup> / <sub>16</sub> "	8 <sup>3</sup> / <sub>4</sub> "	8 <sup>3</sup> / <sub>4</sub> "	8 <sup>3</sup> / <sub>4</sub> "	1"	1 <sup>3</sup> / <sub>16</sub> "		

**STANDARD FEATURES**

- > Hi/low Millivolt valve with variable adjustment of flame and BTU.
- > A flame sensor that constantly monitors the pilot flame and provides 100% gas shut off if pilot is not sensed.

**OPTIONAL FEATURES**

Designer Clean View Circulating Kit – No Louvers Required

Fan Kit – Heat activated with variable speed control

Thermostat – Wall Mount Millivolt Thermostat or Programmable Thermostat

Remote Controls – On/Off, Thermostat, Thermostat Modulating and or Fan Control

Child Safety Screen

Wall Surrounds – Convex, Concave and Flatt with Black or Pewter finishes

Wall Surrounds Accents – Flatt

- > Keystone – Brushed Chrome or Black
- > Designer Band Accents – 4 x Black (sml), 2 x Chrome (lrg)
- > Designer Corner Accents – 4 x Black

Contemporary Rock and or Driftwood Set, Decorative Stones or Decorative Ember Glass

Porcelain Reflective Liners



 **marquis**  
COLLECTION | by Kingsman



Kingsman Fireplaces maintains a program of continuous testing, refinement and improvements of all its products. Some aspect of units shown here may be changed at any time without notice or obligation.

Certification: The models are certified for USA and Canada. Certified to: ANSI Z21.50b-2009, CSA 2.22b-2009, CGA 217.M97 as a Vented Gas Fireplace.

\*Components may have to be ordered separately to create a complete unit. Discuss with your local Marquis Dealer for clarification.

